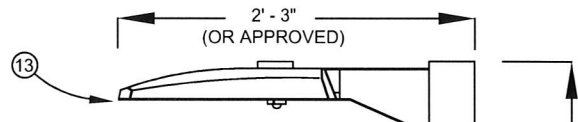


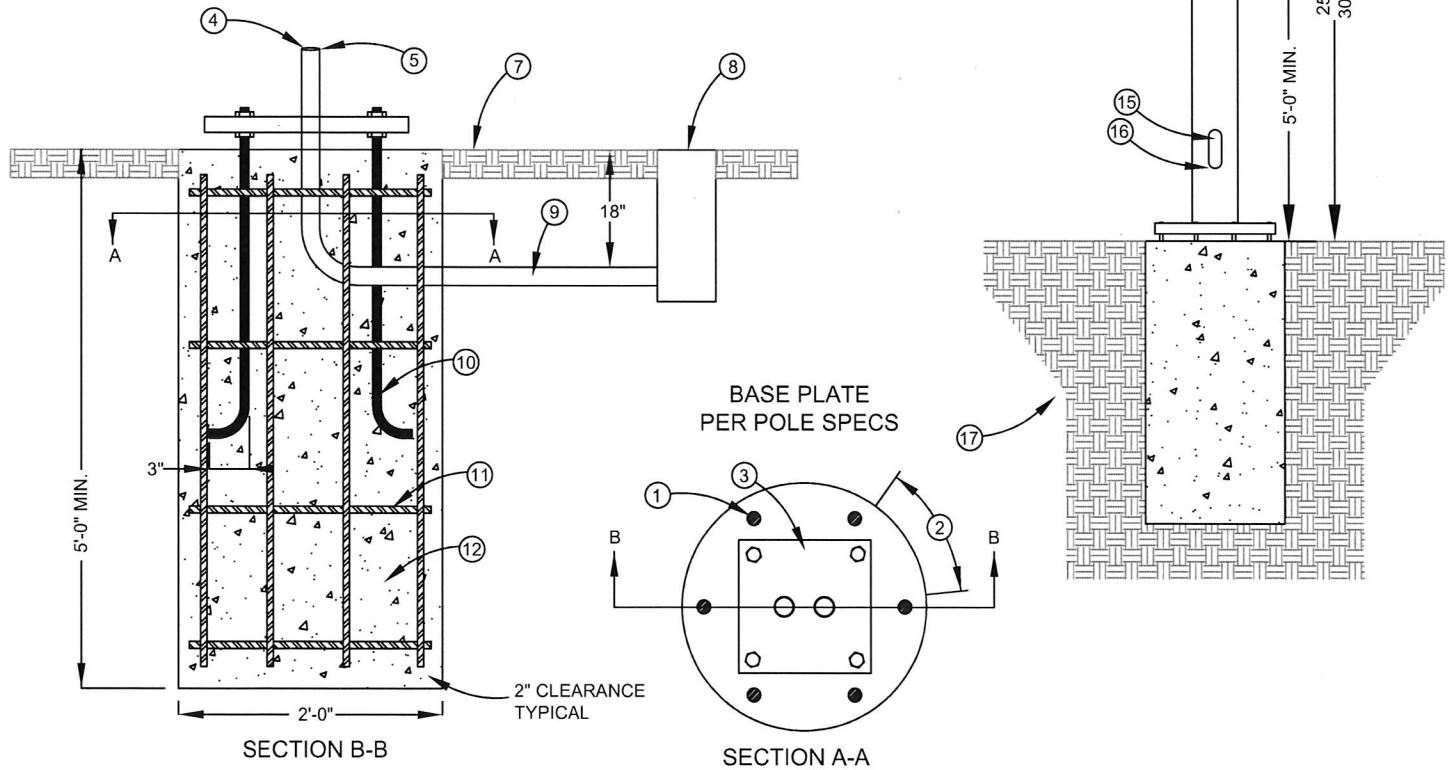
LEGEND:

- ① 6-#4 VERTICAL REBAR
- ② 6" LAP
- ③ ANCHOR BOLT SIZES AND LOCATIONS PER MANUFACTURER'S SPECIFICATIONS
- ④ 4" TO 6" STUBS
- ⑤ INSULATED BUSHING REQUIRED WHEN CONDUIT IS USED PER MANUFACTURER'S SPECIFICATIONS
- ⑥ PER MANUFACTURER'S SPECIFICATIONS
- ⑦ SIDE WALK LINE OR GRADE LINE
- ⑧ J-BOX
- ⑨ 1" MINIMUM DIAMETER
- ⑩ (4) ANCHOR BOLTS WITH DOUBLE NUTS FOR PLUMBING POLE GALVANIZED, WITH (3) GALVANIZED NUTS AND (2) GALVANIZED WASHERS PER BOLT
- ⑪ 4-#4 REBAR HOOPS
- ⑫ C-3000 CONCRETE AS PER SECTION 700 ISPWC
- ⑬ USSL-A01-D-U-T3-MA-BK - 57w INTERIOR - SUBDIVISION
USSL-A02-D-U-T3-MA-BK - 87w EXTERIOR - RW LIGHTS
- ⑭ STEEL SQUARE STRAIGHT LIGHTING POLES -
ASSS25XX411BL - 25' - 4" - 11 GAUGE - INTERIOR SUBDIVISION
ASSS30XX511BL - 30' - 5" - 11 GAUGE OR APPROVED EQUAL -
EXTERIOR R/W LIGHTS
- ⑮ FUSE LOCATION
- ⑯ WATER-TIGHT HANDHOLE
- ⑰ BACKFILL TO BE COMPACTED TO 95% OF ASTM D698
- ⑱ BLACK BACKGROUND WHITE NUMBER VINYL STICKERS 1-1/2" X 2-1/2"



NOTES:

- (A) SEE ISPWC FOR EXCAVATION, BACKFILLING AND CONSTRUCTION OF POLE FOUNDATION, WIRING, AND ACCEPTANCE OR REJECTION OF THE WORK.
- (B) GROUND POLE TO THE SERVICE POINT VIA #6 AWG BARE WIRE PER NATIONAL ELECTRICAL CODE.
- (C) #10 AWG WIRE FROM LUMINAIRE TO FUSE.
- (D) FOR GROUNDING DETAILS SEE-1117.
- (E) COLOR TEMPERATURE 3,000K TO 4,000K



ALL PRODUCTS AS LISTED OR APPROVED SUBSTITUTIONS

v.8/10/2020



CITY OF KUNA
763 W AVALON AVE
KUNA, ID 83634
(208) 922-5546

**STANDARD METAL
STREET LIGHT DETAIL
KUNA STD DWG KSD-1116**