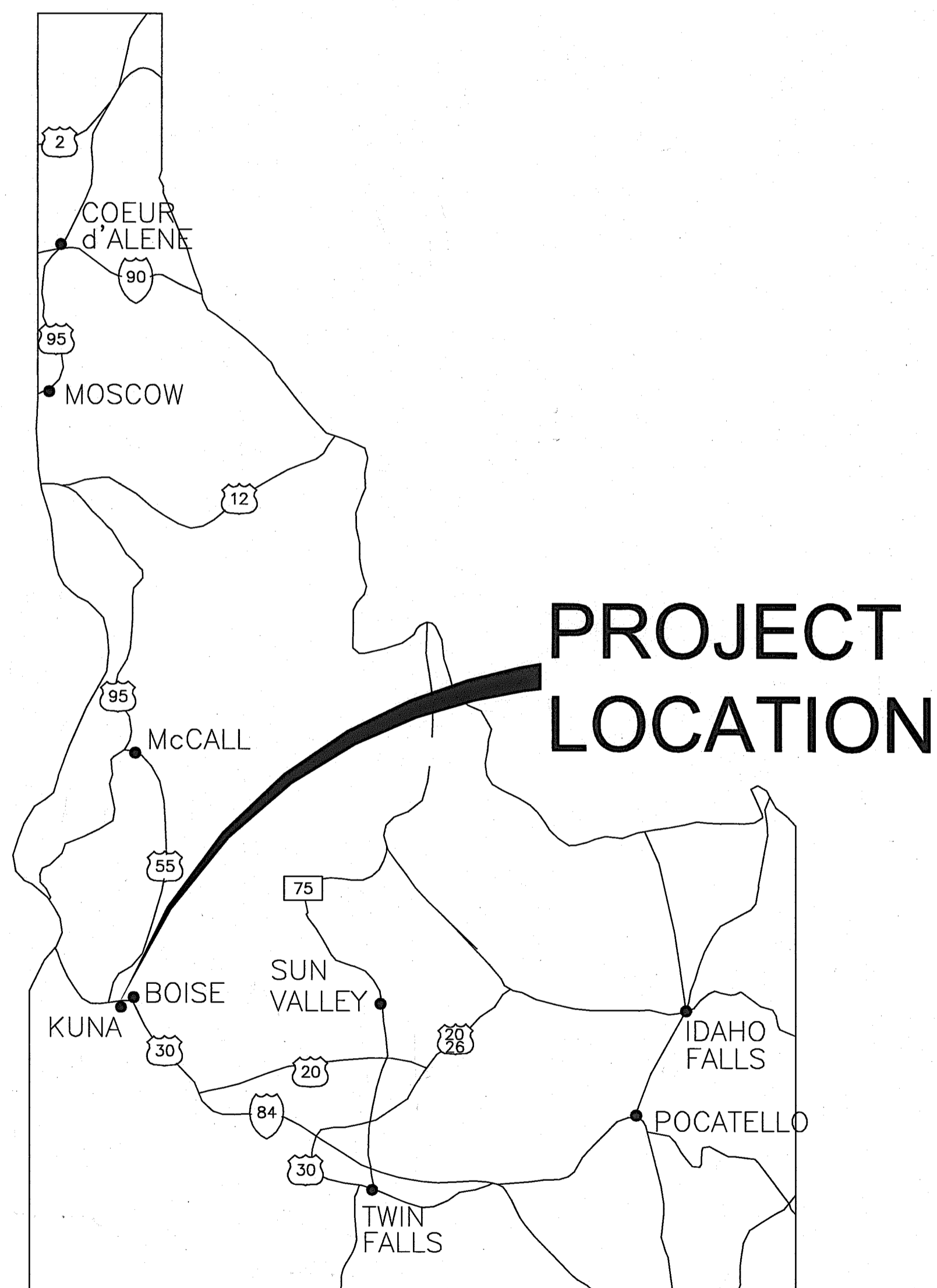


KUNA WATER SYSTEM IMPROVEMENTS - PHASE II

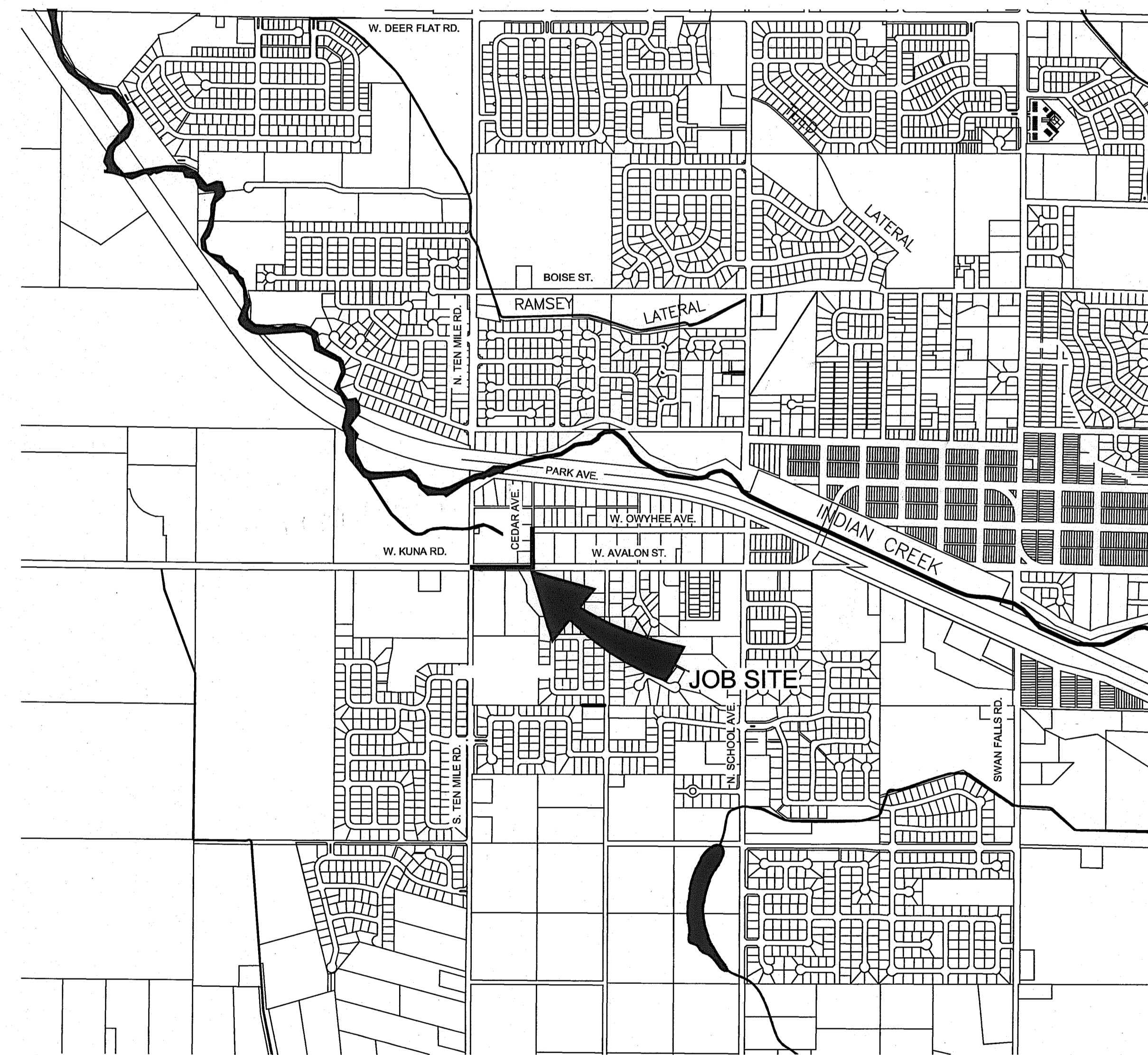
JANUARY - 2011 DRAWINGS

BID PACKAGE #1

W. AVALON STREET & CEDAR AVENUE
(S. TEN MILE ROAD TO W. OWYHEE AVENUE)



A1 LOCATION MAP
N.T.S.



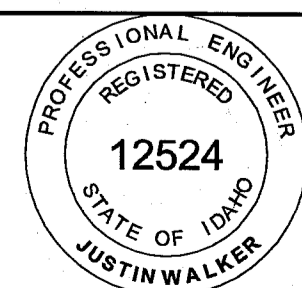
A4 VICINITY MAP
N.T.S.

A3 LIST OF DRAWINGS

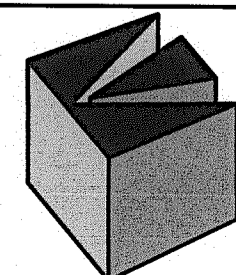
- G-GENERAL**
- G0.001 COVER SHEET
 - G0.002 SYMBOLS AND LINE LEGEND
 - G0.003 CIVIL NOTES
- C-CIVIL**
- C6.201 PLAN & PROFILE (STA. 1+00 TO 6+00)
 - C6.202 PLAN & PROFILE (STA. 6+00 TO END)
 - C6.501 UTILITY DETAILS
 - C11.101 TRAFFIC CONTROL

W:\Work\106095\091 - Linder-Avalon Water Line\Design\CAD 2010\06 RECORD\BID #1\WATER\BID PKG 100 GENERAL\CO.001.dwg DATE: 04/19/2011 TIME: 03:36:56 PM

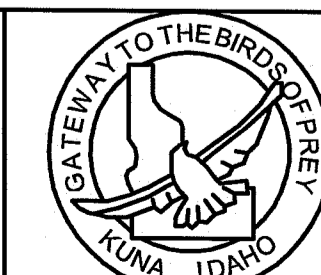
NO.	REVISIONS	BY	DATE
This document or any part thereof in detail or design concept is the personal property of Keller Associates, Inc. and shall not be copied in any form without the written authorization of Keller Associates, Inc.			
DRAWN: EWC		CHECKED: JRW	
DESIGNED: SAN		APPROVED: JRW	
CAD NAME: CO.001.dwg		SCALE: (Based on 22"x34" sheet) AS NOTED	



ORIGINAL SIGNED BY:
JUSTIN WALKER
DATE ORIGINAL SIGNED: 01/10/11
ON FILE AT: KELLER ASSOCIATES INC.
INFORMATION ON THESE RECORD DRAWINGS IS BASED ON FIELD OBSERVATIONS AND INFORMATION FURNISHED BY OTHERS. DATE: 04-15-11



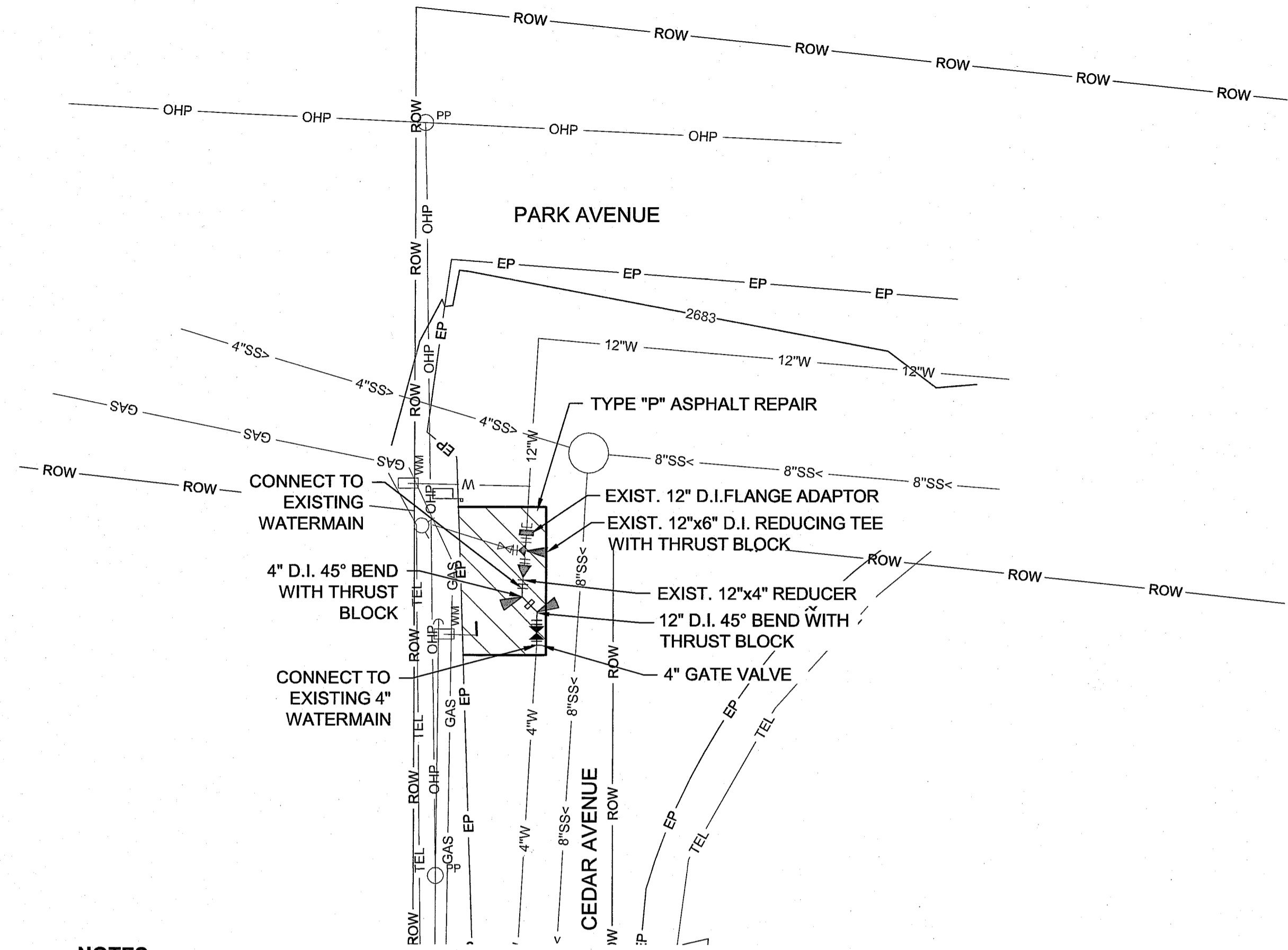
KELLER associates
131 SW 5th Avenue, Suite A
Meridian, Idaho 83642
(208) 288-1992



CITY OF KUNA
763 W. AVALON
KUNA, IDAHO 83634

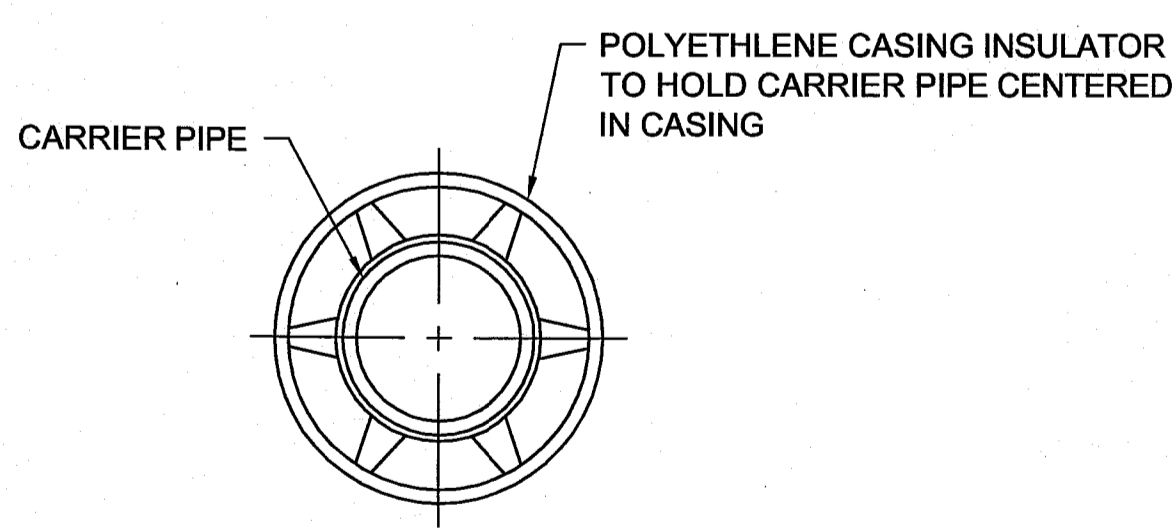
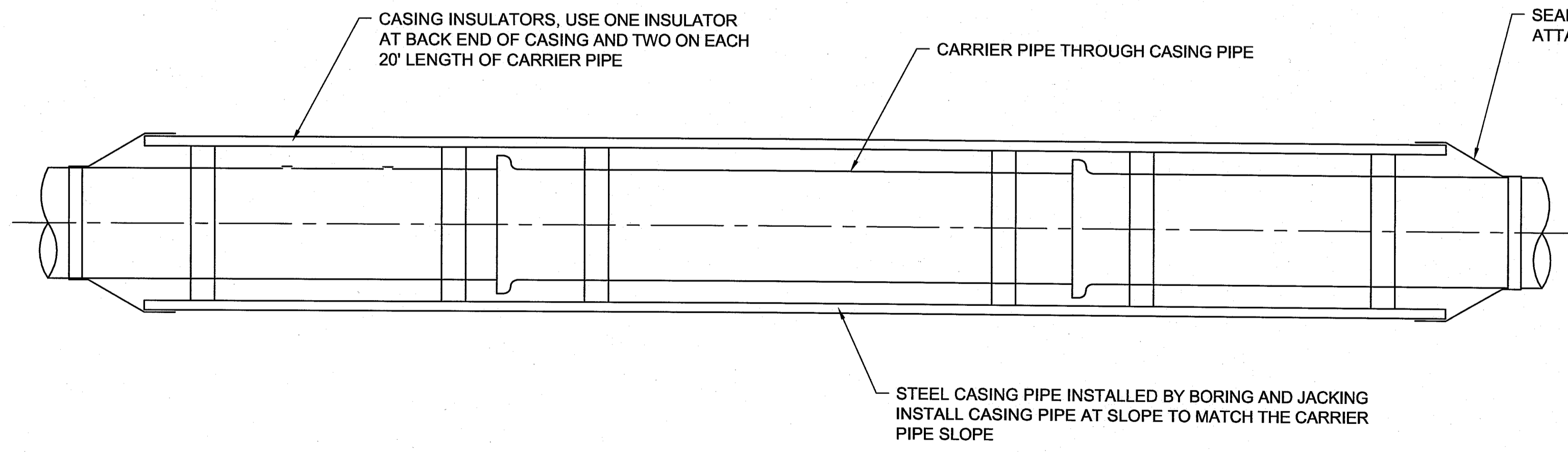
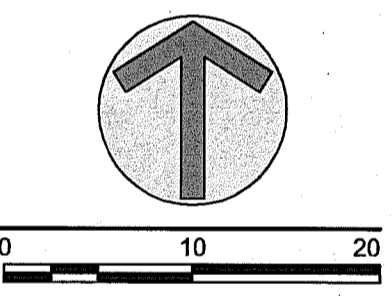
RECORD DRAWINGS	
KUNA WATER SYSTEM IMPROVEMENTS PHASE II BID PACKAGE #1 - W. AVALON ST. & CEDAR AVE.	PROJECT NO. 206095-091
COVER SHEET	SHEET NO. G0.001

W:\WORK\108095091 - LINDER-AVALON WATER LINE\DESIGN\CAD 201009\RECORD\BID 1\WATER\BID PKG 108 CU UTILITY\C6.501.DWG
 LAST SAVED: 4/14/2011 3:31 PM
 PRINTED: 4/19/2011 3:40 PM

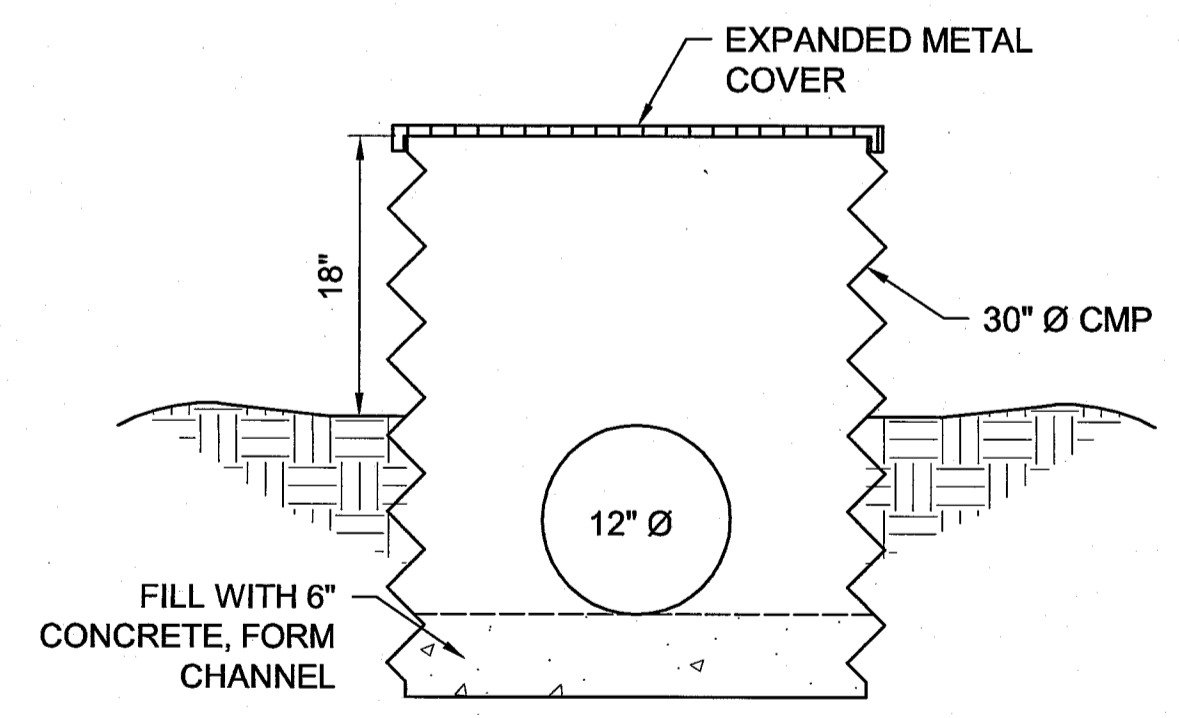


- NOTES:**
1. CONTRACTOR TO FIELD VERIFY LOCATION AND EXISTING CONFIGURATION AT THE TIE-IN LOCATIONS.
 2. RETAIN AND PROTECT ALL EXISTING UTILITIES.

B4 SP-900 - CEDAR & PARK WATERLINE INTERTIE
1:10



- NOTE:**
1. CASING SHALL BE SMOOTH STEEL WITH A MINIMUM YIELD STRENGTH OF 35,000 PSI.



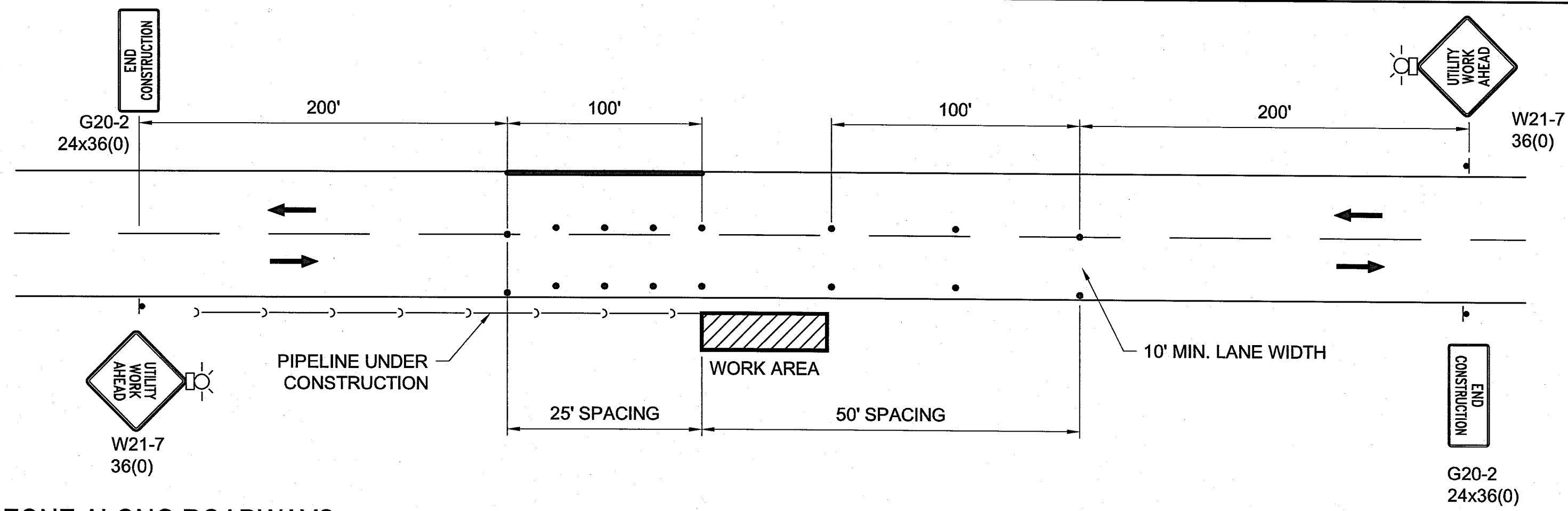
- NOTES:**
1. SEE SHEET C6.202 FOR INVERT DEPTHS.
 2. MATERIALS & STYLE OF MANHOLE & COVER TO MATCH NEARBY EXISTING GRAVITY IRRIGATION MANHOLES.

A1 CASING
N.T.S.

A5 GRAVITY IRRIGATION MANHOLE
N.T.S.

DRAWN: EWC CHECKED: JRW			ORIGINAL SIGNED BY: JUSTIN WALKER DATE ORIGINAL SIGNED: 01/10/11 ON FILE AT: KELLER ASSOCIATES INC. INFORMATION ON THESE RECORD DRAWINGS IS BASED ON FIELD OBSERVATIONS AND INFORMATION FURNISHED BY OTHERS. DATE: 04-15-11	KELLER associates 131 SW 6th Avenue, Suite A Meridian, Idaho 83642 (208) 288-1992	CITY OF KUNA 763 W. AVALON KUNA, IDAHO 83634	KUNA WATER SYSTEM IMPROVEMENTS PHASE II BID PACKAGE #1 - W. AVALON ST. & CEDAR AVE.	PROJECT NO. 206095-091
DESIGNED: SAN APPROVED: JRW							
RECORD DRAWINGS							

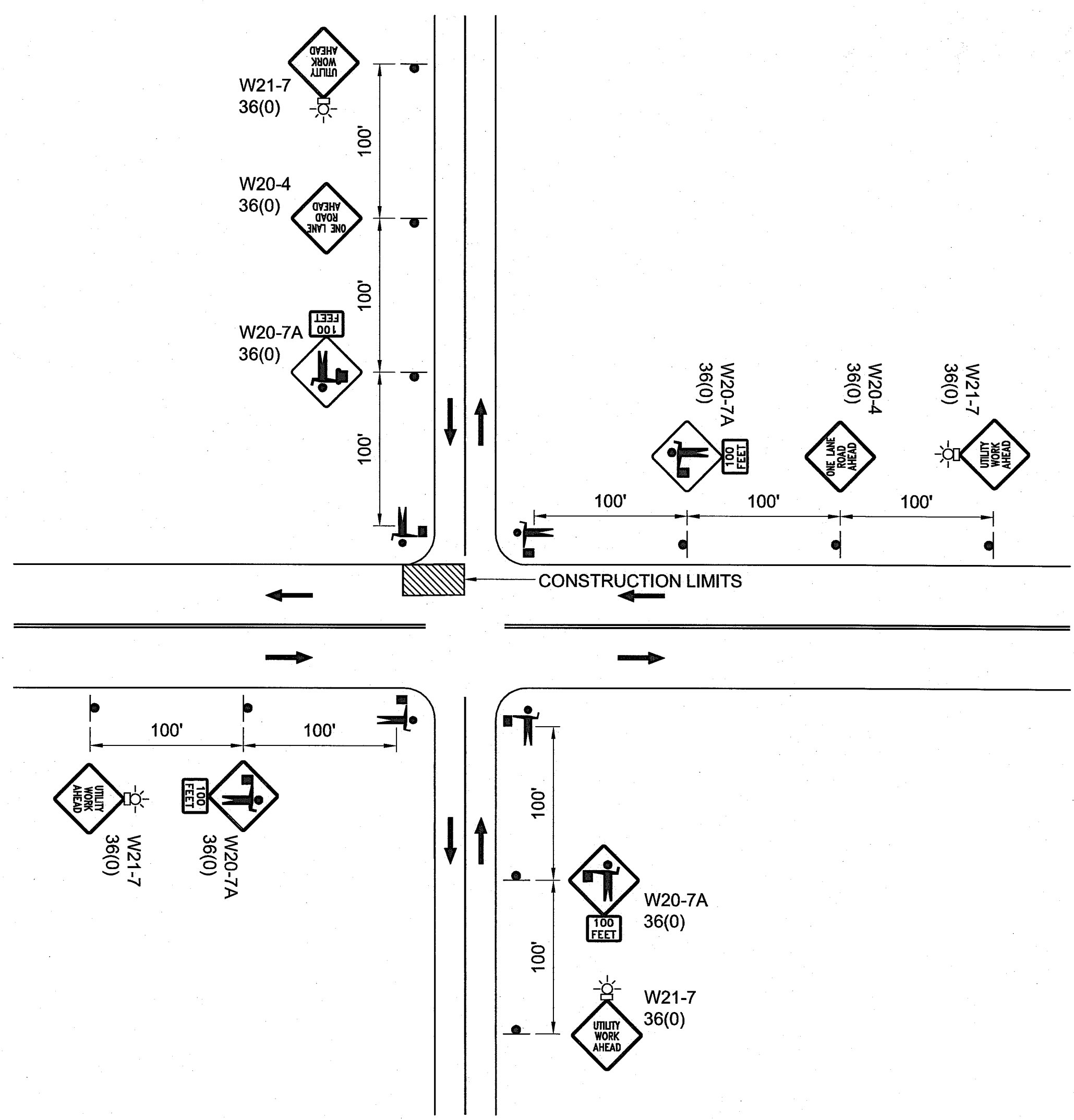
NO. REVISIONS BY DATE
 This document or any part thereof in detail or design concept is the personal property of Keller Associates, Inc. and shall not be copied in any form without the written authorization of Keller Associates, Inc.



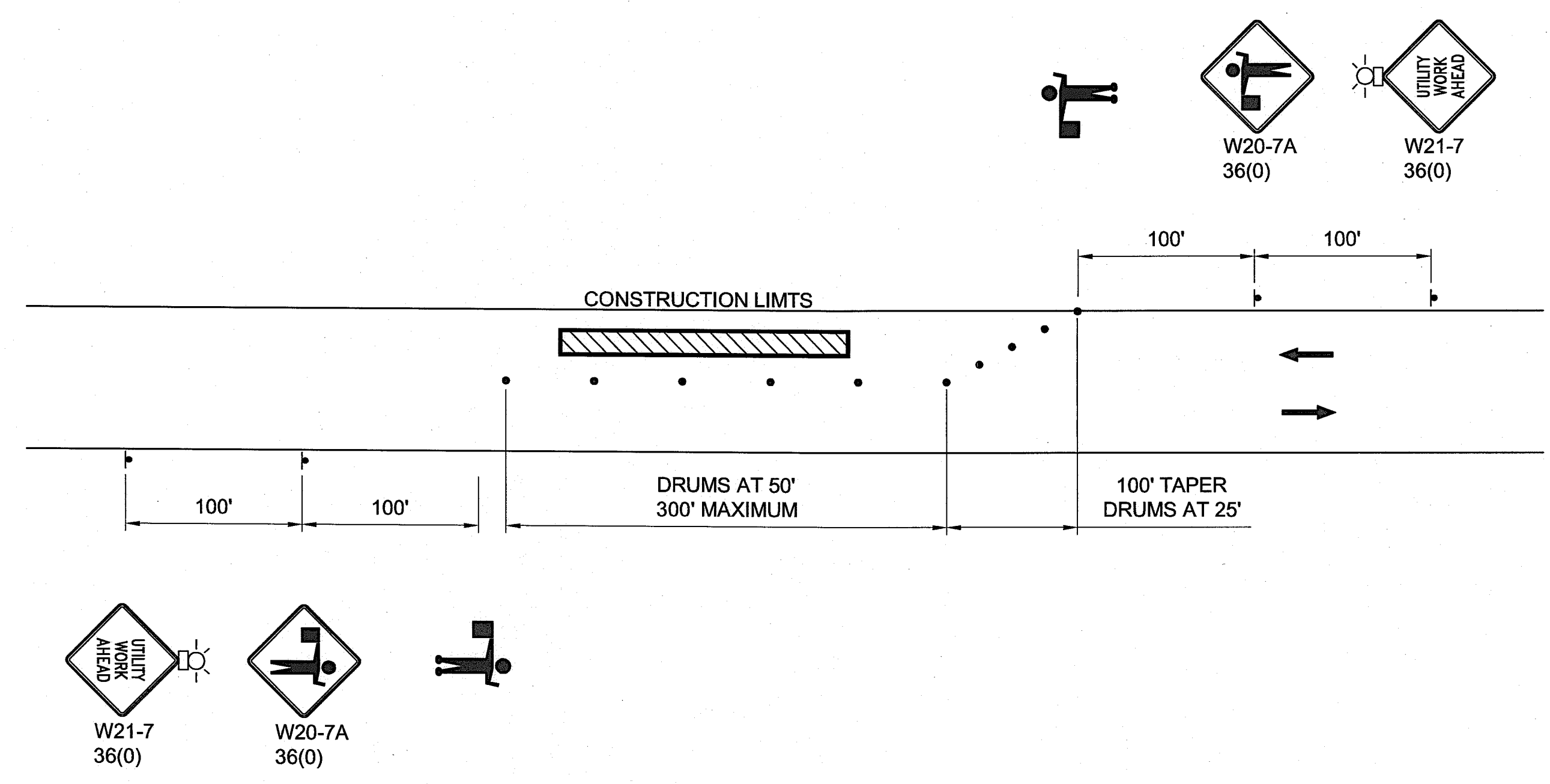
LEGEND	
	CONSTRUCTION WARNING SIGN LOCATION
	DIRECTION OF TRAFFIC
	WARNING LIGHT OR FLASHER
	BARREL OR OTHER APPROVED CHANNELIZING DEVICE
	WORK ZONE
	FLAGGER

- GENERAL NOTES**
1. THIS TRAFFIC CONTROL PLAN MAY BE MODIFIED IN THE FIELD BY THE ENGINEER.
 2. THE CONTRACTOR SHALL MAINTAIN TRAFFIC THROUGH THE PROJECT AREA WHENEVER POSSIBLE FOR LOCAL TRAFFIC AND ACCESS TO ADJACENT PROPERTY.
 3. ALL CONSTRUCTION SIGNS, BARRICADES, CONES AND DRUMS IN PLACE DURING HOURS OF DARKNESS SHALL HAVE A MINIMUM OF CLASS "A" REFLECTIVE SHEETING.
 4. ALL CONSTRUCTION WARNING SIGNS SHALL HAVE TWO WARNING FLAGS. WARNING SIGNS IN PLACE DURING HOURS OF DARKNESS SHALL HAVE BATTERY OPERATED FLASHING WARNING LIGHTS IN ADDITION TO FLAGS.
 5. ALL CONSTRUCTION SIGNING AND TRAFFIC CONTROLS WILL CONFORM TO THE LATEST EDITION OF THE MANUAL ON UNIFORM TRAFFIC CONTROL DEVICES.
 6. CHANNELIZING DEVICES SHALL HAVE INTERVALS BETWEEN DEVICES AS SHOWN ON PLANS.
 7. USE EXTREME CARE IN SITING CONSTRUCTION SIGNS SO AS NOT TO BLOCK OR OBSCURE ANY OTHER TRAFFIC CONTROL SIGNS FROM VIEW OF THE TRAVELING PUBLIC.
 8. OTHER TRAFFIC CONTROL DEVICES, SUCH AS CONES AND OR BARRELS, WITHIN THE CONSTRUCTION WORKZONE TO PROTECT THE CONTRACTOR'S WORK AREA, ARE AT THE CONTRACTOR'S EXPENSE.
 9. CONTRACTOR SHALL OBTAIN A RIGHT-OF-WAY PERMIT FORM ACHD PRIOR TO ANY WORK INSIDE OF THE RIGHT-OF-WAY.

C1 WORK ZONE ALONG ROADWAYS USING TWO WAY TRAFFIC AT WORK ZONE



A1 WORK ZONE AT INTERSECTIONS USING 4-WAY FLAGGERS



A3 WORK ZONE ALONG ROADWAYS USING ONE WAY TRAFFIC AT WORK ZONE

W:\work\106095\091 - Linder-Avalon Water Line\Design\CAD 2010\06 RECORD\BID 1\WATER\BID PKG 1\11 OF TRAFFIC\11-101.dwg DATE: 04/19/2011 TIME: 03:40:21 PM

<p>PROFESSIONAL ENGINEER REGISTERED 12524 STATE OF IDAHO JUSTIN WALKER</p>		<p>ORIGINAL SIGNED BY: JUSTIN WALKER DATE ORIGINAL SIGNED: 01/10/11 ON FILE AT: KELLER ASSOCIATES INC. INFORMATION ON THESE RECORD DRAWINGS IS BASED ON FIELD OBSERVATIONS AND INFORMATION FURNISHED BY OTHERS. DATE: 04-15-11</p>		<p>KELLER associates 131 SW 5th Avenue, Suite A Meridian, Idaho 83642 (208) 288-1992</p>		<p>CITY OF KUNA 763 W. AVALON KUNA, IDAHO 83634</p>		<p>RECORD DRAWINGS KUNA WATER SYSTEM IMPROVEMENTS PHASE II BID PACKAGE #1 - W. AVALON ST. & CEDAR AVE.</p>		<p>PROJECT NO. 206095-091</p>	
<p>DRAWN: EWC</p>		<p>CHECKED: JRW</p>		<p>DESIGNED: SAN</p>		<p>APPROVED: JRW</p>		<p>TRAFFIC CONTROL PLAN</p>		<p>SHEET NO. C11.101</p>	
<p>CAD NAME: C11.101.dwg</p>		<p>SCALE: (Based on 22"x34" sheet) N.T.S.</p>		<p>This document or any part thereof in detail or design concept is the personal property of Keller Associates, Inc. and shall not be copied in any form without the written authorization of Keller Associates, Inc.</p>							