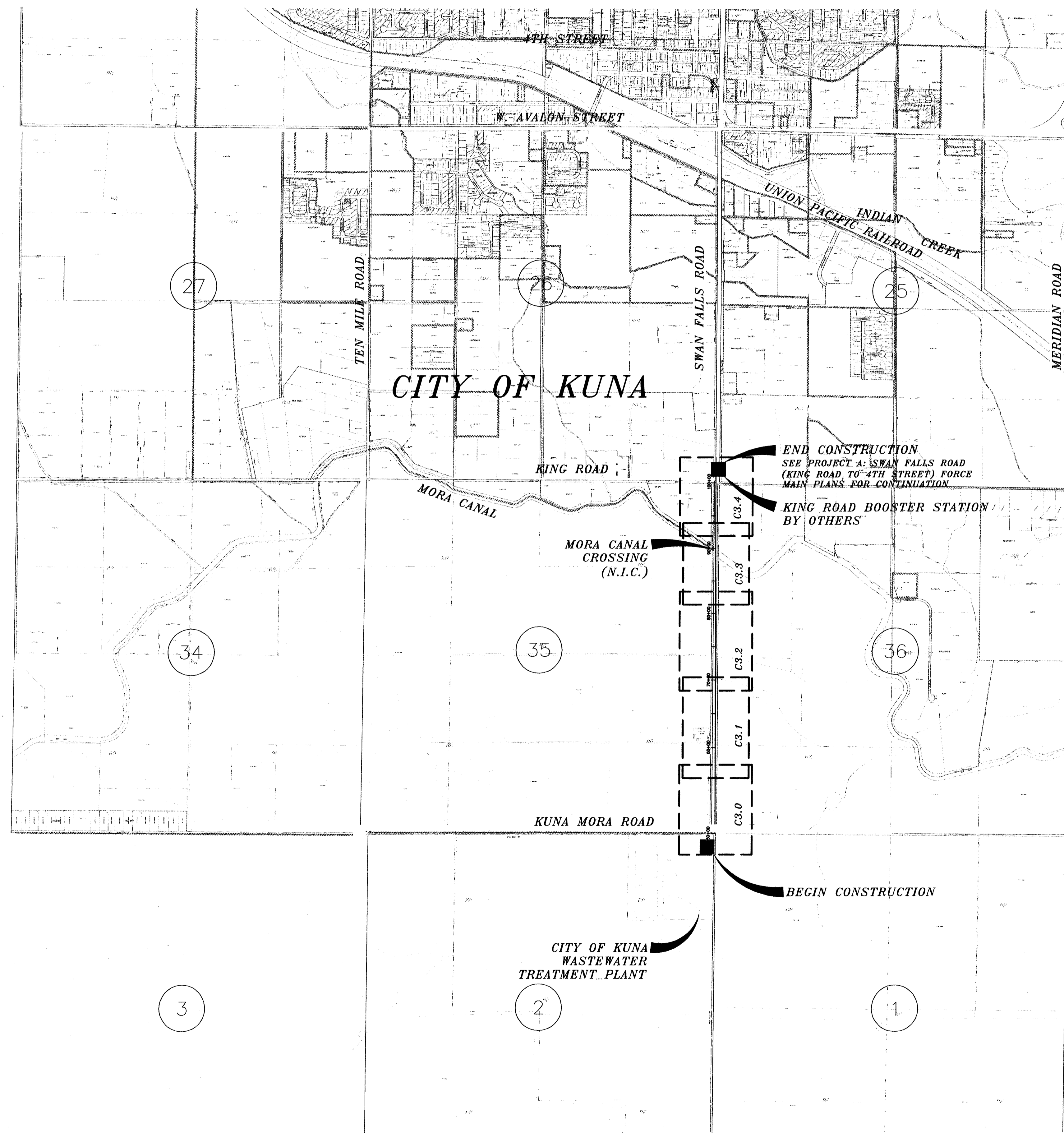


GOLDCREEK DEVELOPMENT, LLC.

CITY OF KUNA SS FORCE MAIN IMPROVEMENTS PROJECT B: SWAN FALLS RD (WASTEWATER TREATMENT PLANT TO KING ROAD)

A PARCEL OF LAND LOCATED IN PORTIONS OF SECTIONS 25, 26, 35, & 36, T.2N., AND SECTIONS 1 AND 2, T.1N. R.1W., B.M.,
KUNA, ADA COUNTY, IDAHO
2004



LEGEND

---	PROPERTY LINE/PROJECT BOUNDARY	⊕	EXST. FITTINGS W/THRUST BLOCK
- - -	ROADWAY RIGHT-OF-WAY	⊕	PROP. FITTINGS W/THRUST BLOCK
---	CENTER LINE OF DITCH	⊕	EXST. SIGN & BARRICADE
---	EXISTING GAS LINE	⊕	EXST. STREET LIGHT
---	EXISTING TELEPHONE	⊕	EXST. SAND & GREASE TRAP
---	EDGE OF PAVEMENT	FG	FINISHED GRADE
---	CENTERLINE OF STREET	FL	FLOW LINE
---	PROPOSED LOT LINE	GB	GRADE BREAK
---	PROPOSED EASEMENT LINE	HP	HIGH POINT
SS	EXISTING SANITARY SEWER	IE	INVERT ELEVATION
FM	PROPOSED SS FORCE MAIN	LP	LOW POINT
---	EXISTING STORM SEWER	PC	POINT OF CURVE
---	EXISTING WATER LINE	PT	POINT OF TANGENCY
---	EXISTING FENCE	RJ	RESTRAINED JOINT
⊕	PROPOSED MANHOLE	TA	TOP OF ASPHALT
---	EXISTING STORM DRAIN CATCH BASIN	TB	THRUST BLOCK
---	EXISTING WATER METER	PCC	POINT OF COMPOUND CURVE
⊕	PROPOSED ISOLATION VALVE	PRC	POINT OF REVERSE CURVE
⊕	PROPOSED AIR RELEASE VALVE	ROW	RIGHT-OF-WAY
⊕	EXISTING FIRE HYDRANT	TBC	TOP BACK OF CURB
+	EXISTING BLOW-OFF ASSEMBLY	WWTP	WASTEWATER TREATMENT PLANT

SHEET INDEX

SHEET	DESCRIPTION
C1.0	B: COVER SHEET
C2.0	B: GENERAL NOTES AND DETAILS
C3.0-C3.4	B: FORCE MAIN PLAN & PROFILE (SWAN FALLS ROAD)
C3.5	MORA CANAL CROSSING PLAN & PROFILE (FOR REFERENCE ONLY)

3130 S. Owyhee St.
Boise, Idaho 83705-4768
(209)542-5400
(209)542-5555 Fax
wfpacific.com

W&F PACIFIC
Planners • Engineers • Surveyors • Landscape Architects

REGISTERED ENGINEER
10014
STATE OF IDAHO
SCOTT A. SHERMAN
6-16-04

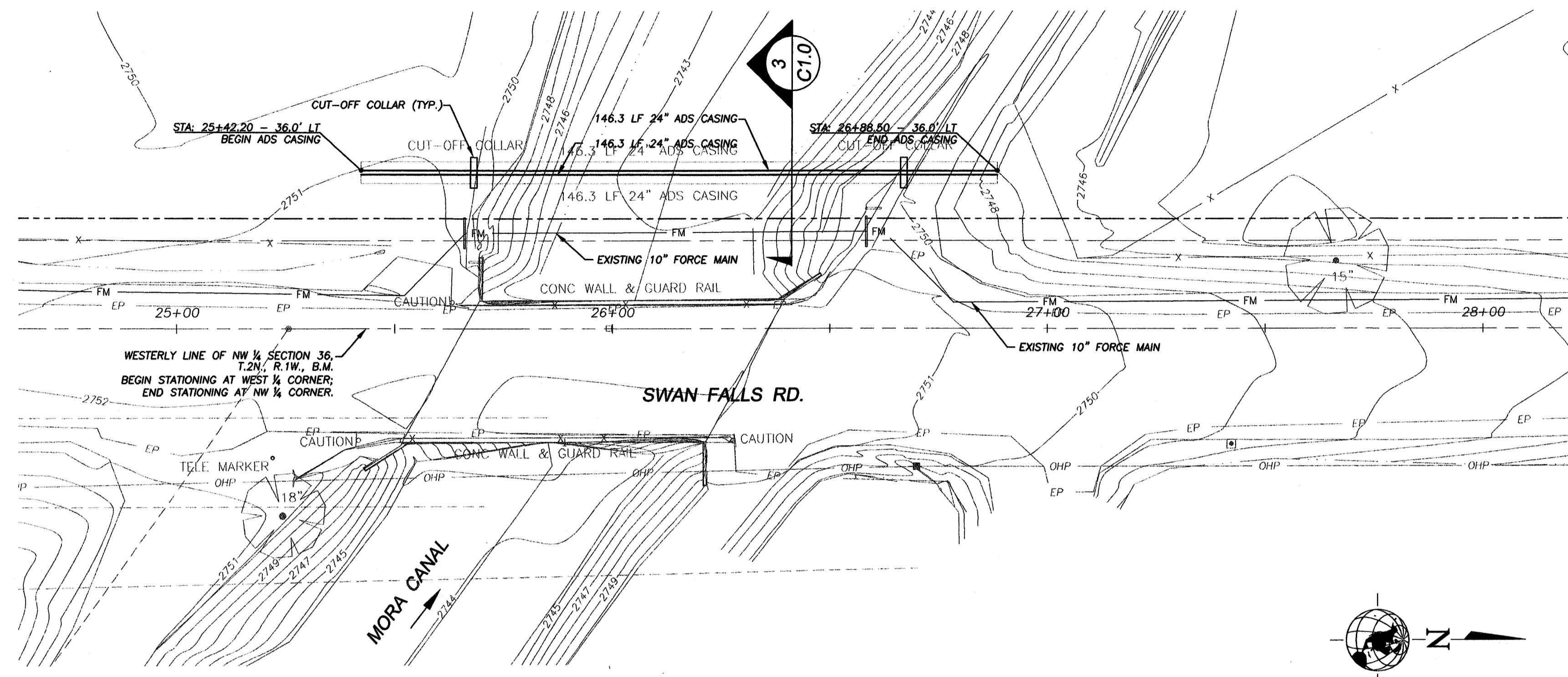
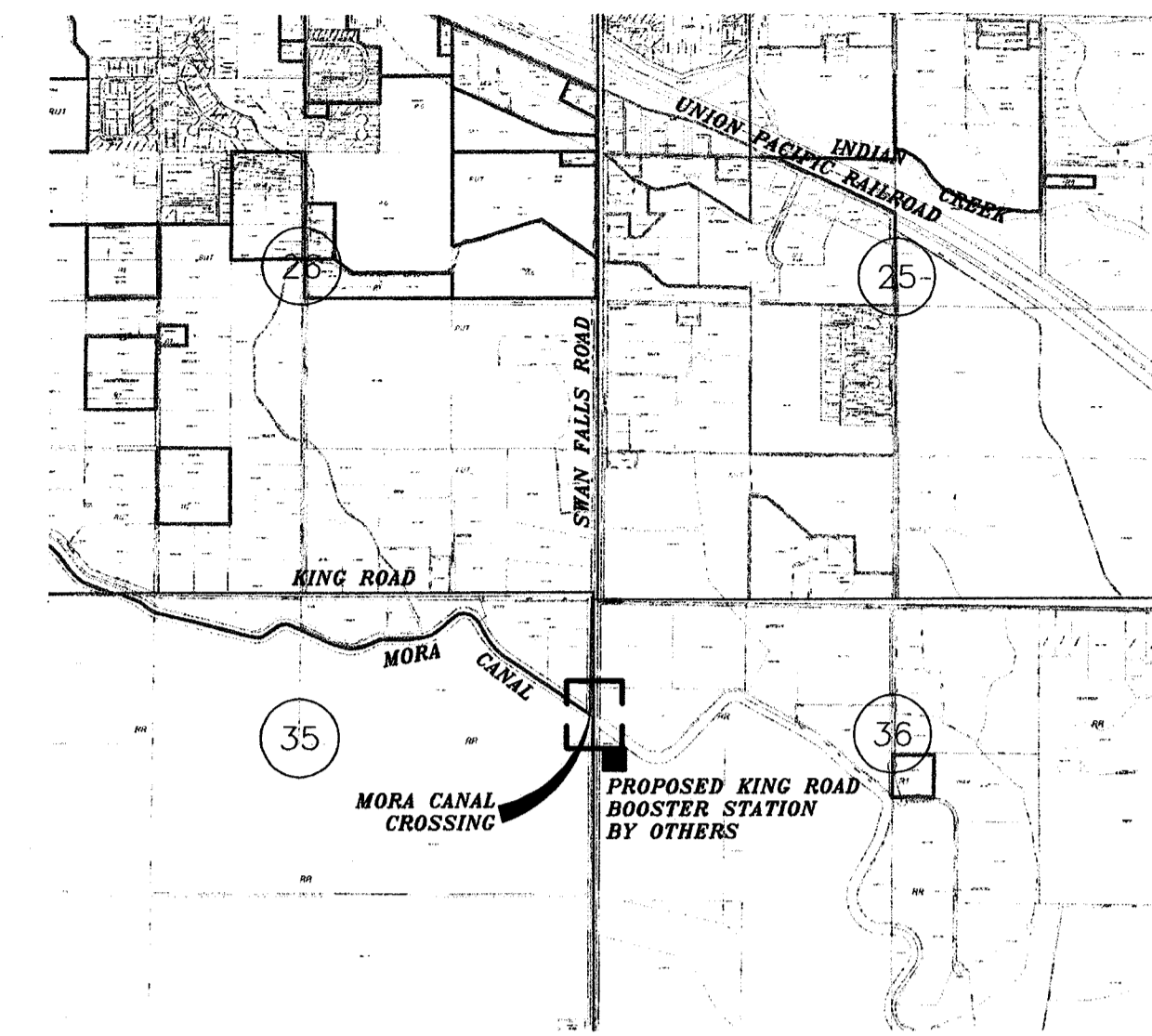
DESIGNED BY:	AIL	CHECKED BY:	MDW
DRAWN BY:	AIL	APPROVED BY:	SAS
LAST EDIT:	04/12/04	PLOT DATE:	06/14/04
DATE:	BY REV#	REVISION	CK'D/APP#

GOLDCREEK DEVELOPMENT, L.L.C.
CITY OF KUNA SANITARY SEWER FORCE MAIN
SWAN FALLS RD (WWTP TO KING RD)
B: COVER SHEET

PROJECT NO. 31108
SCALE: AS SHOWN
DRAWING FILE NAME: 31108-land-tp01cv
IDAHO

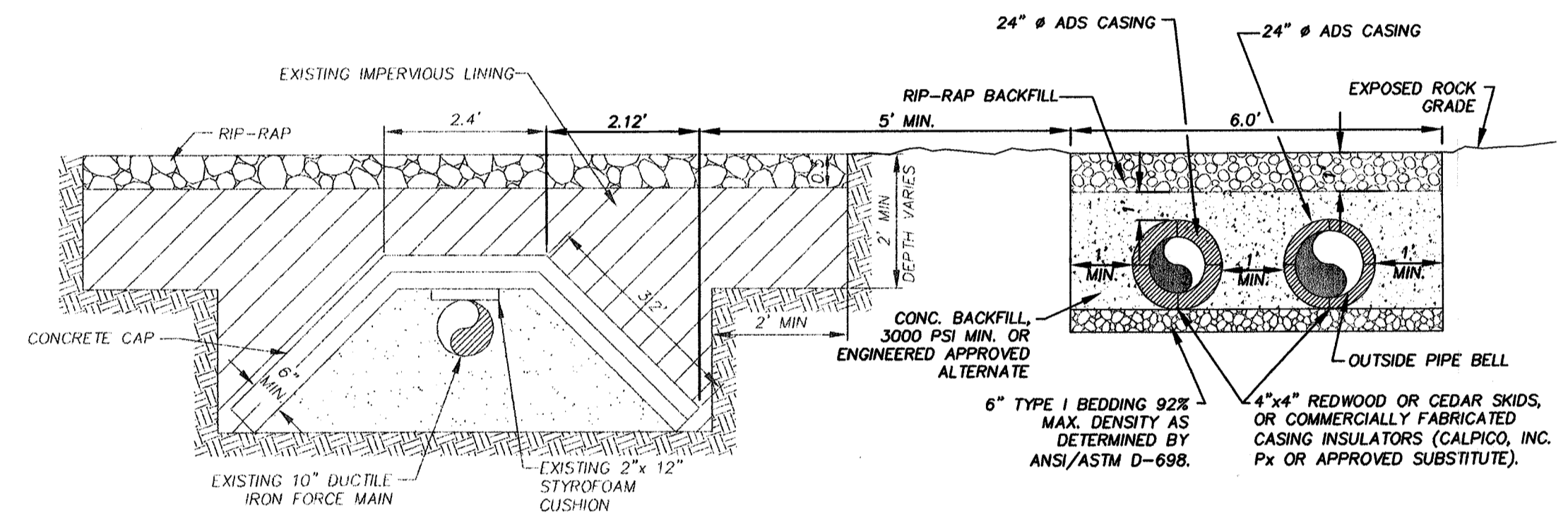
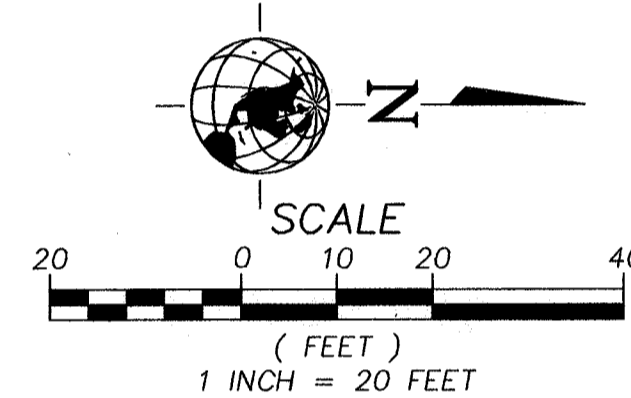
SHEET
C1.0

VICINITY MAP



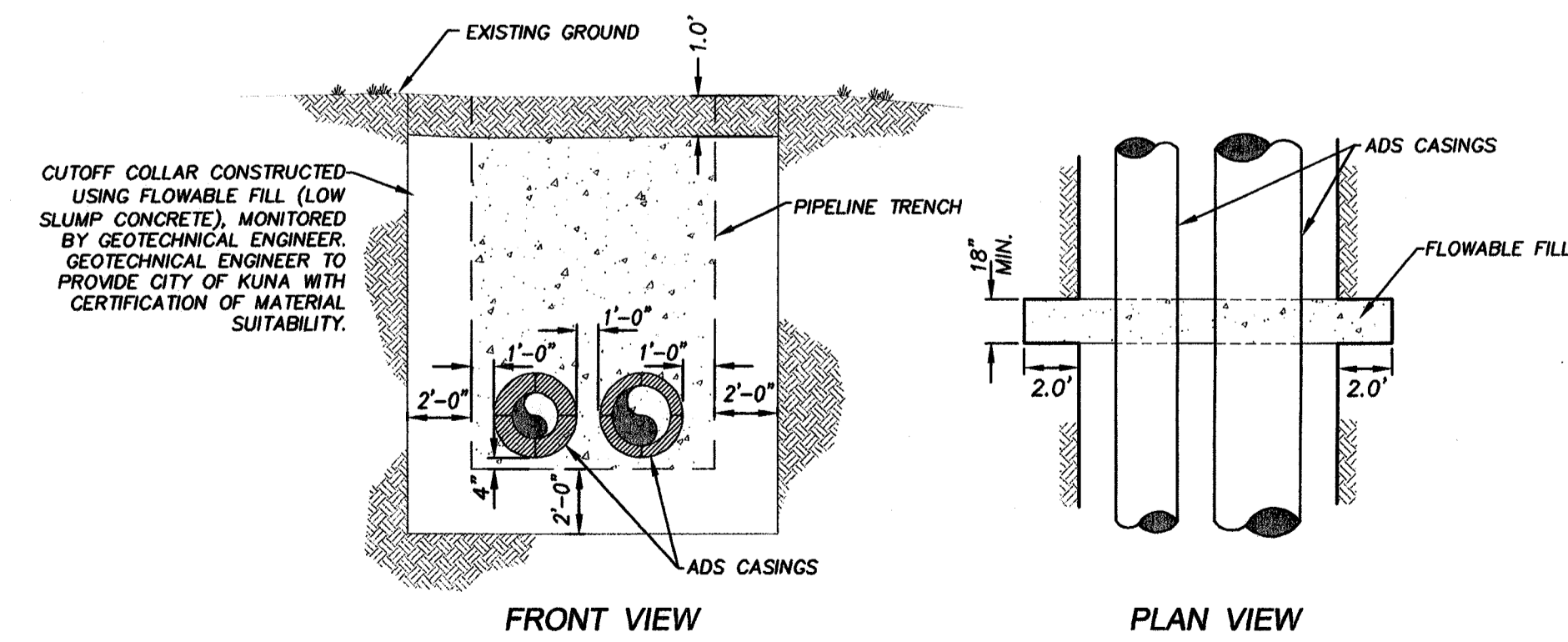
**SWAN FALLS ROAD
MORA CANAL CROSSING**
SCALE: 1" = 20"

1
C3.5



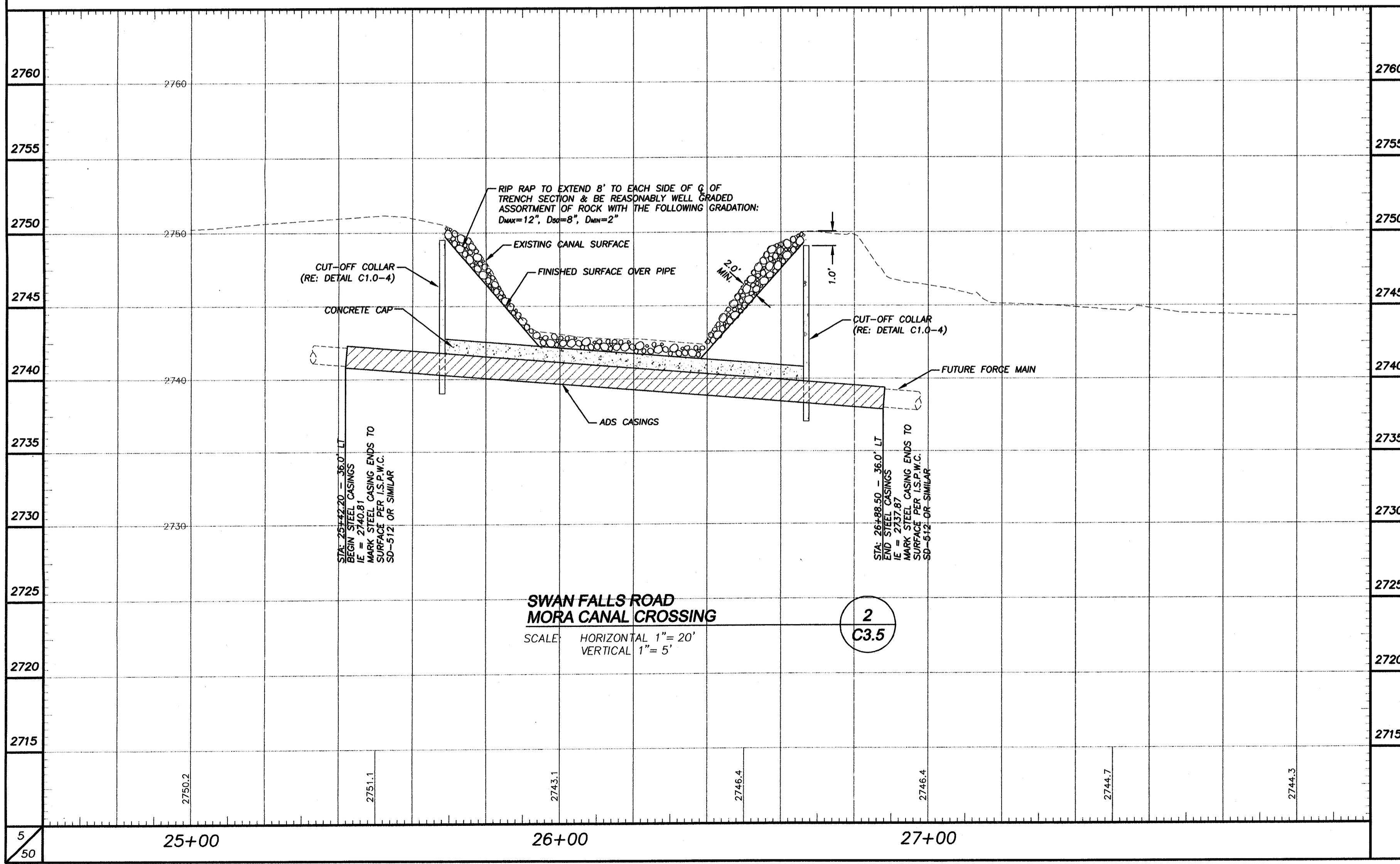
**EXISTING FORCE MAIN SECTION
& TRENCH SECTION DETAIL**
SCALE: N.T.S.

3
C3.5



**CUT-OFF COLLAR
FRONT & PLAN VIEWS**
SCALE: N.T.S.

4
C3.5



**SWAN FALLS ROAD
MORA CANAL CROSSING**
SCALE: HORIZONTAL 1" = 20'
VERTICAL 1" = 5'

2
C3.5

DESIGNED BY:	MDW	CHECKED BY:	SAS
DRAWN BY:	KMK	APPROVED BY:	SAS
DATE:	06/14/04	REVISION:	CK/D/APPR
BY:	REV#		

IDAHO
DRAWING FILE NAME:
31108-land-tp035ps
PROJECT NO. 31108
AS SHOWN
KUNA/ADA
SCALE:

**GOLDCREEK DEVELOPMENT, L.L.C.
CITY OF KUNA SANITARY SEWER FORCE MAIN
MORA CANAL CROSSING
PLAN & PROFILE**

W&H PACIFIC
Planners • Engineers • Surveyors • Landscape Architects
3130 S. Owyhee St.
Boise, Idaho 83705-4768
(800)342-5400
(800)342-5363 Fax
whpacific.com