

THIS DRAWING IS PROPERTY OF TROUT ARCHITECTS/CHARTERED AND SHALL NOT BE COPIED OR REPRODUCED WITHOUT WRITTEN AUTHORIZATION.  
 © 2000 TROUT ARCHITECTS/CHARTERED

**REVISIONS:**


DRAWN: SST

CHECKED: -

REVIEWED: -

PROJECT NO.: 2000.020

DATE: 6/18/02

SHEET TITLE:  
 Phase 1 Site Plan

SHEET NO:

**A1**

**SYMBOL LIST**

- 795.0 ← X' AXIS DIST.
- 654.0 ← Y' AXIS DIST.
- 10.0 ← Z' AXIS DIST.
- ALL DIST. TO POINT '0,0,0' LOCATED ON PHASE ONE SHEET 'A1'
- R=2' HORIZ. PLANE RADIUS
- R=2' RADIUS OF WALL CURVATURE BETWEEN TWO POINTS NOTED
- EDGE OF TOP DECK
- TRANSITION POINT OF BOTTOM DECK UP TO WALL CURVE

**KEYNOTES**

- A. EXPANSION JOINT
- B. STEEL TUBE COPING-TYP AT BOWL OPENING IN TOP DECK-SEE B2-8C
- C. EDGE OF HORIZONTAL RADIUS
- D. BREAK IN COPING FOR DRAINAGE
- E. FUTURE PYRAMID CONSTRUCTION
- F. FLOOR DRAIN W/ GATE SIZE AS REQUIRED
- G. DRAINAGE RIDGE
- H. EXISTING ASPHALT PATH
- I. NEW GRAVEL PATH
- J. FUTURE FLOOR DRAIN STUB DRAIN PIPE UP AS REQUIRED
- K. DRAIN PIPE SIZE AS REQUIRED
- L. FUTURE DRAIN PIPE NOTE - ELEVATION OF INLET AT END OF PIPE = 0.000
- M. DAYLIGHT DRAIN PIPE INSTALL PER ALL GOVERNMENTAL REGULATIONS
- N. EXISTING TREE TO REMAIN
- O. EXISTING TREE RELOCATE AS DIRECTED
- P. NEW CONTOUR @ 1'-0" INTERVAL
- Q. EXISTING CONTOUR @ 2'-0" INTERVAL

**PHASE 2 CONSTRUCTION  
 SEE SHEET - B1**



**10A PHASE 1 SITE PLAN**  
 Scale: 1/8" = 1'-0"

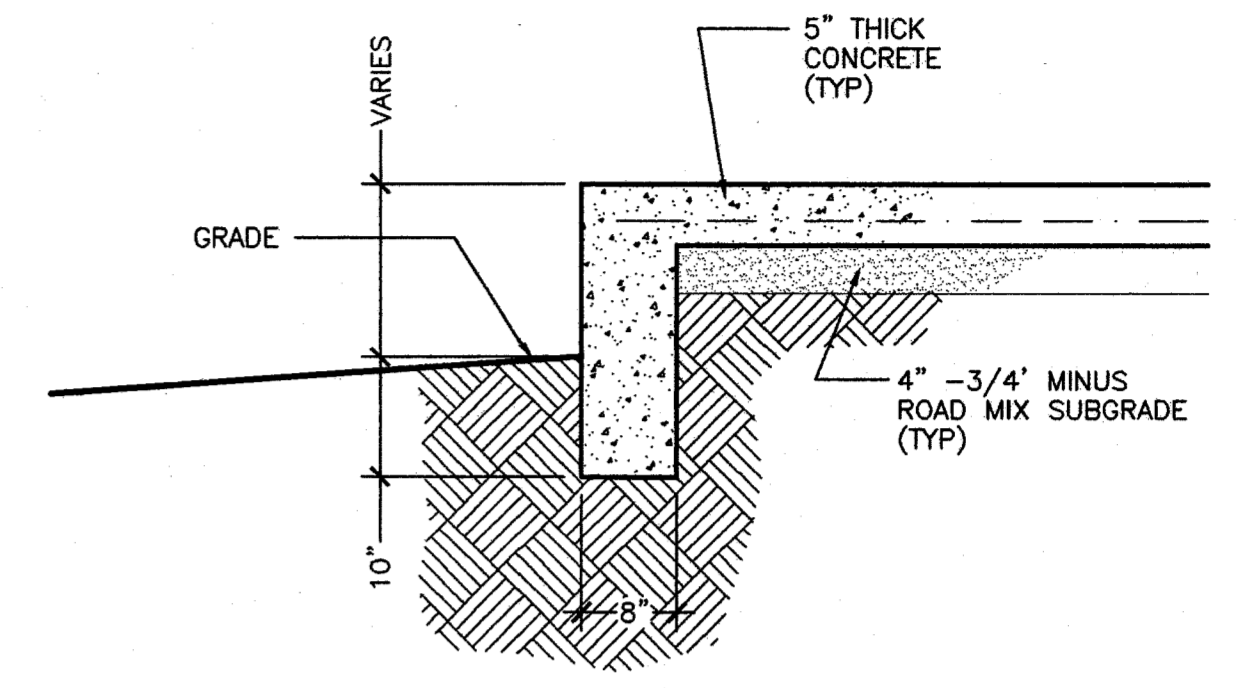




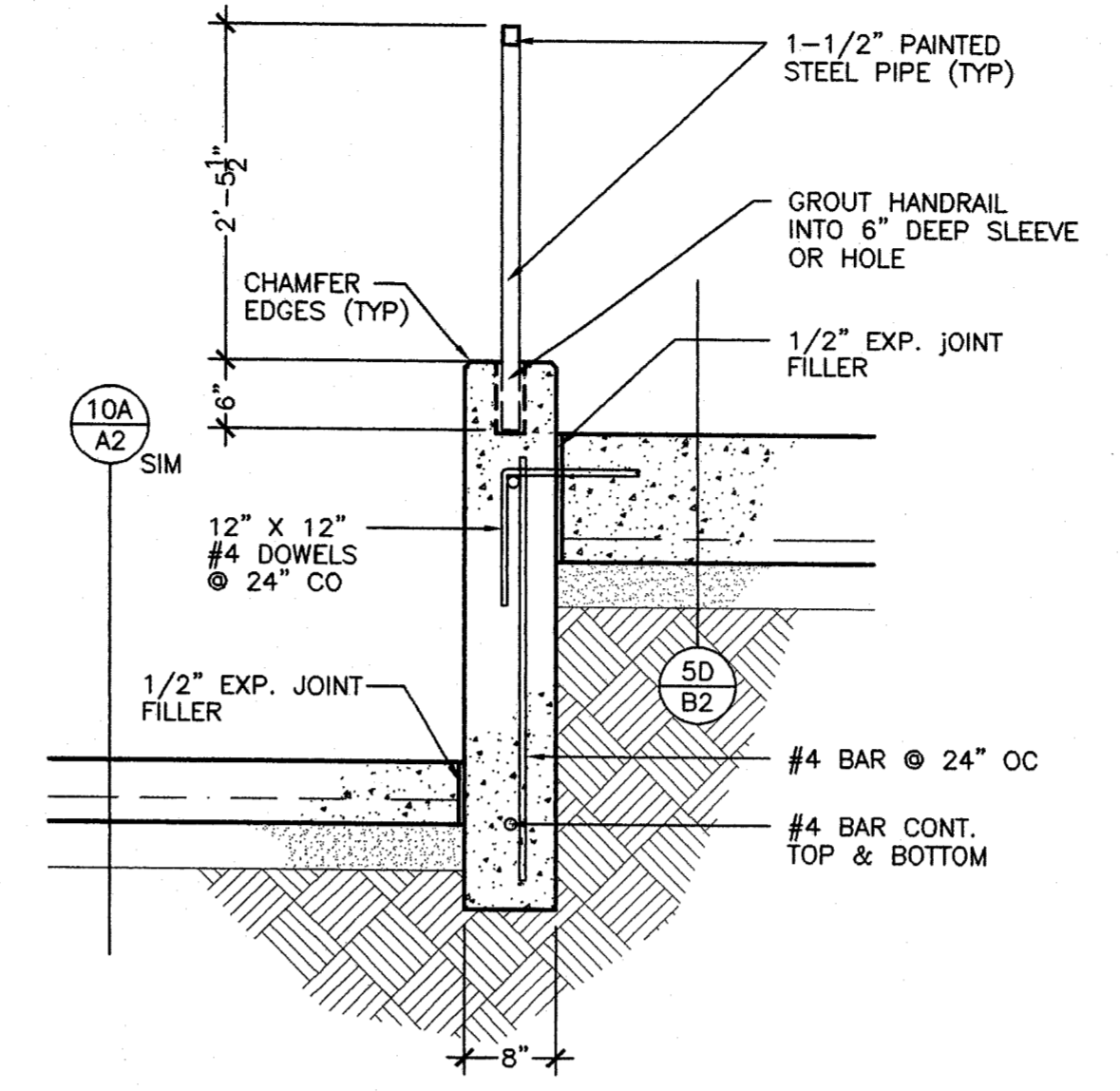


REVISIONS:

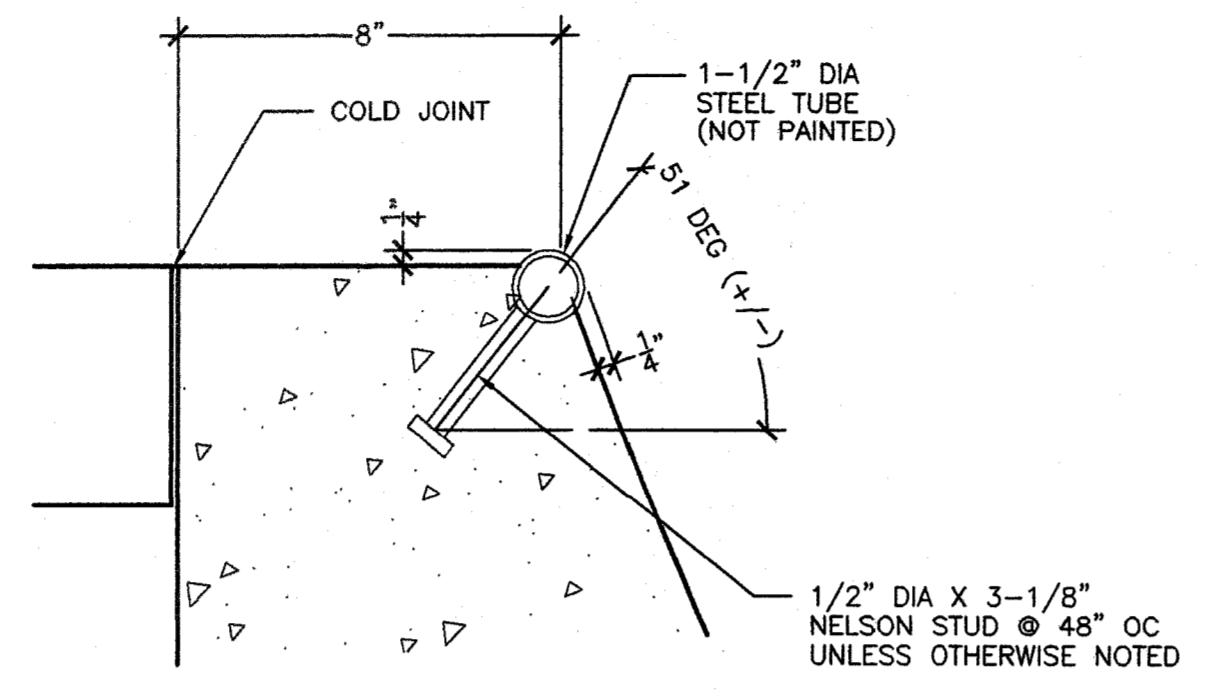

DRAWN: SST  
CHECKED: -  
REVIEWED: -  
PROJECT NO.: 2000.020  
DATE: 6/18/02  
SHEET TITLE: Details  
SHEET NO.:



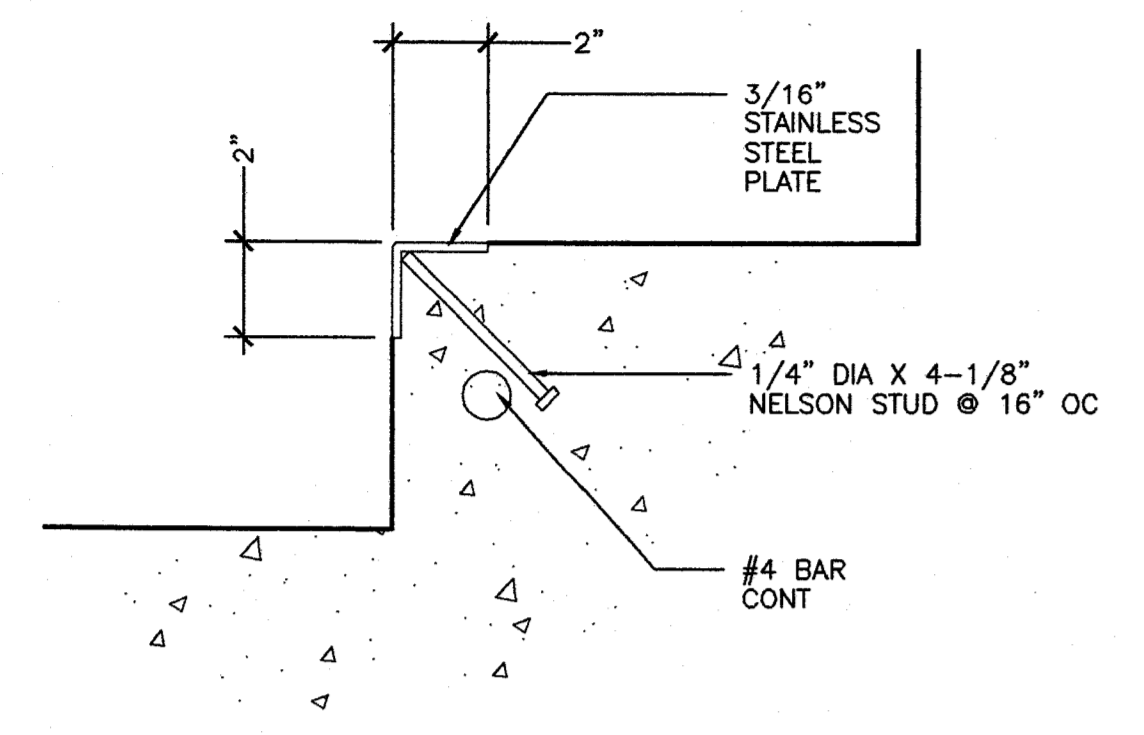
**3D TYP CONC CURB**  
Scale: 3/4" = 1'0"



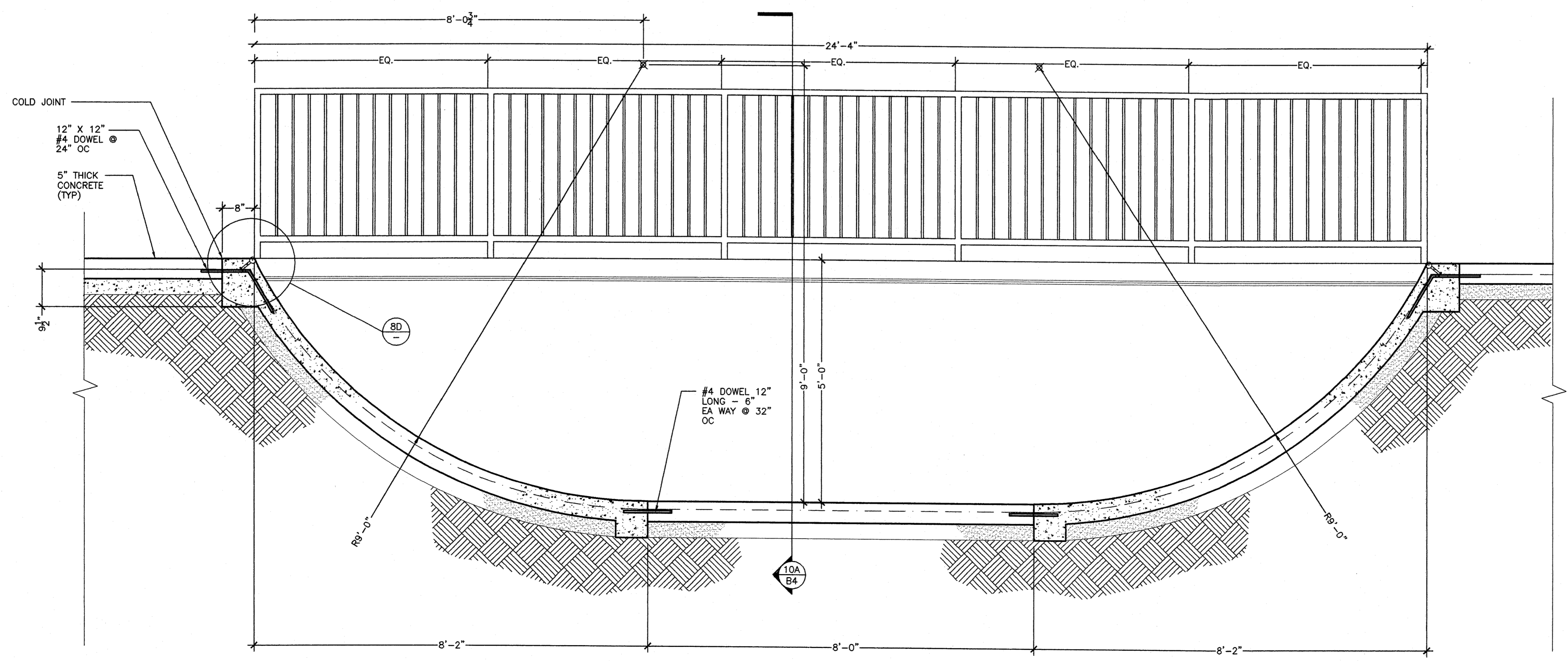
**5D STAIR WALL**  
Scale: 3/4" = 1'0"



**8D TYP STEEL COPING**  
Scale: 3" = 1'0"



**10D TYP STAIR NOSING**  
Scale: 3" = 1'0"



**10A HALF PIPE SECTION**  
Scale: 3/4" = 1'0"