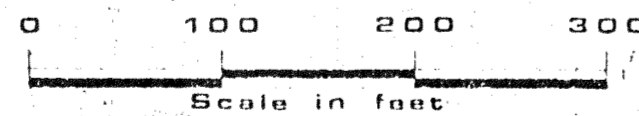
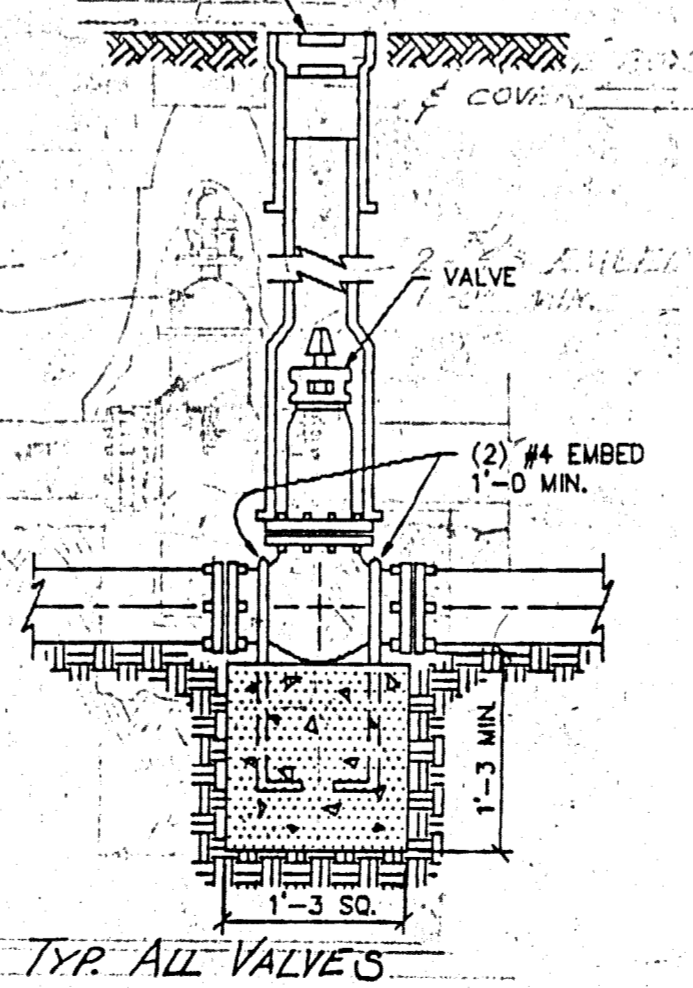


WATER GENERAL LAYOUT & DETAILS

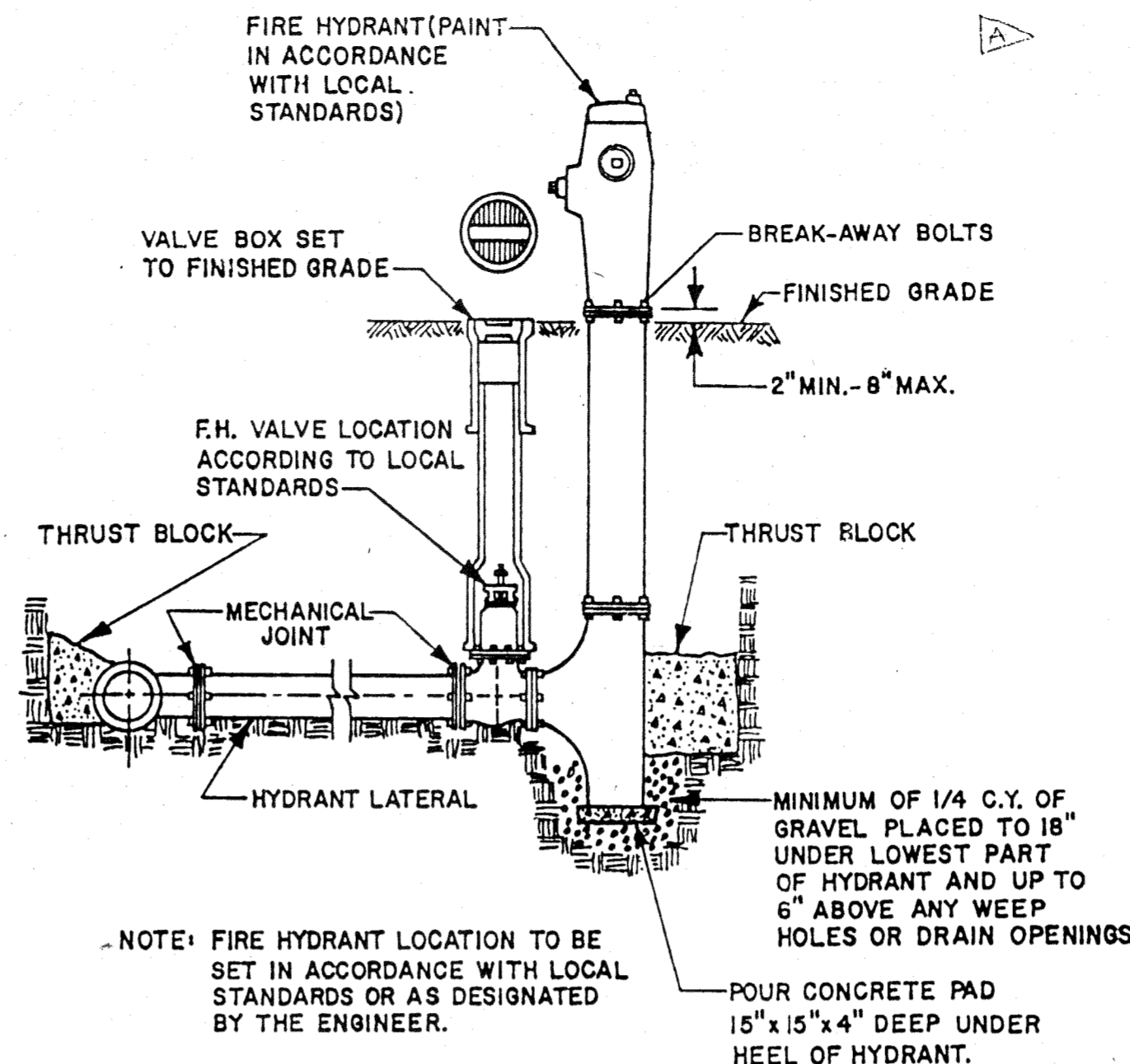


NOTE: FOR SPECIFICATIONS SEE SHEET W-2

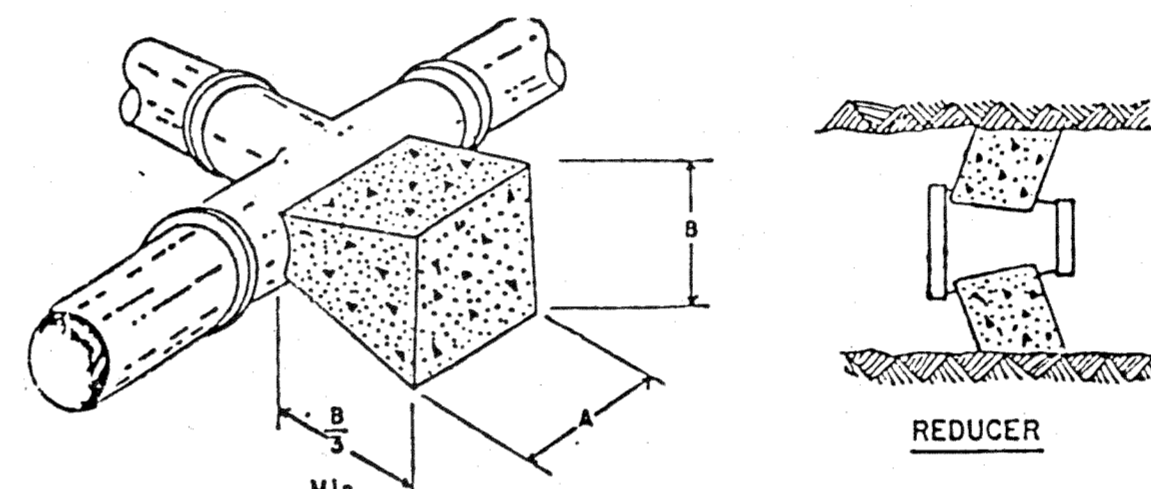
- LIST OF DRAWINGS
W-1 WATER LAYOUT & DETAILS
W-2 WATER SYSTEM DETAILS



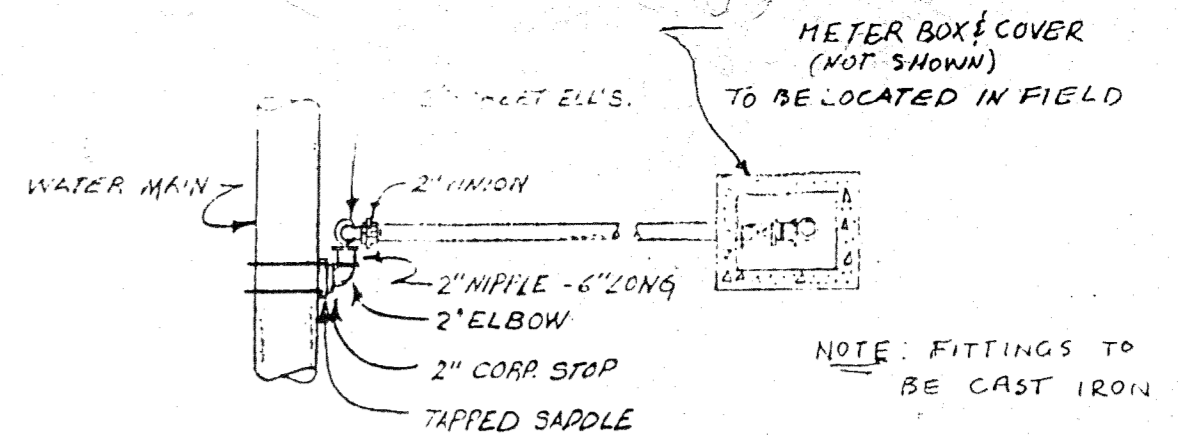
TYP. ALL VALVES
N.T.S.



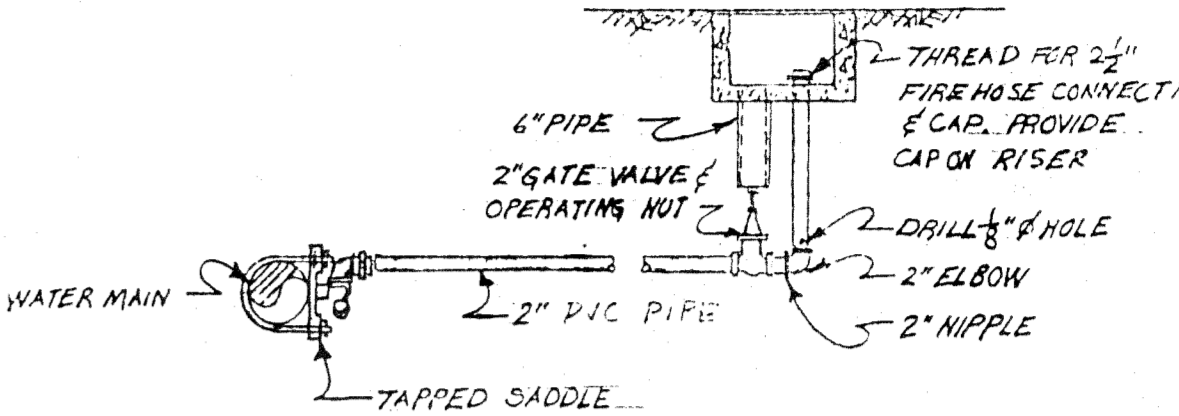
FIRE HYDRANT DETAIL
N.T.S.



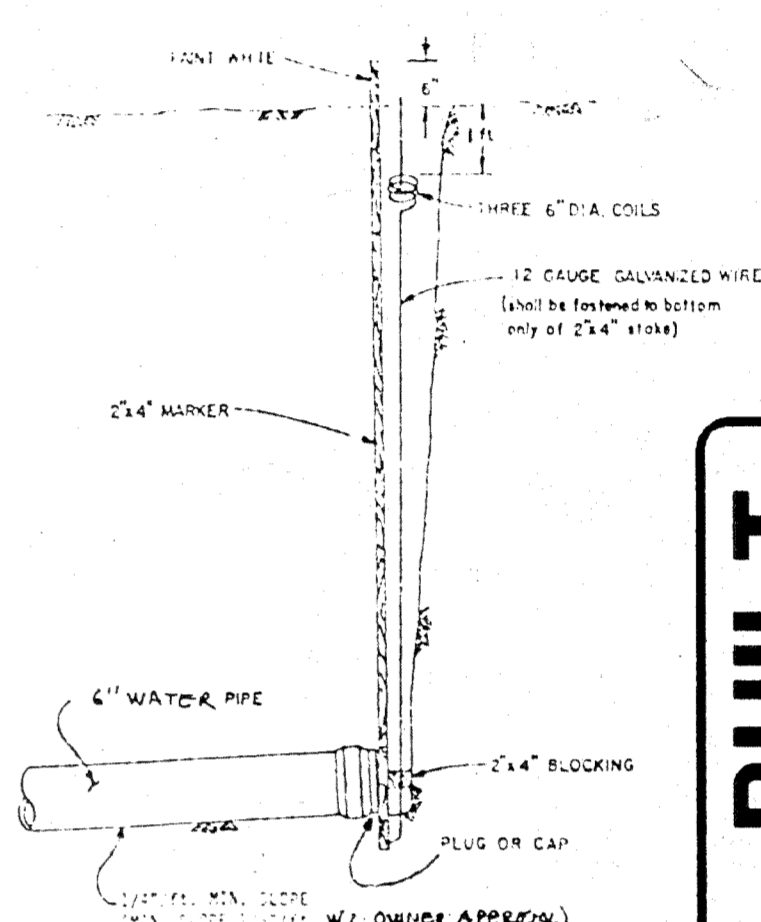
THRUST BLOCKING FOR WATER MAIN FITTINGS
N.T.S.



TYP. BLOW-OFF ASSEMBLY PLAN
N.T.S.



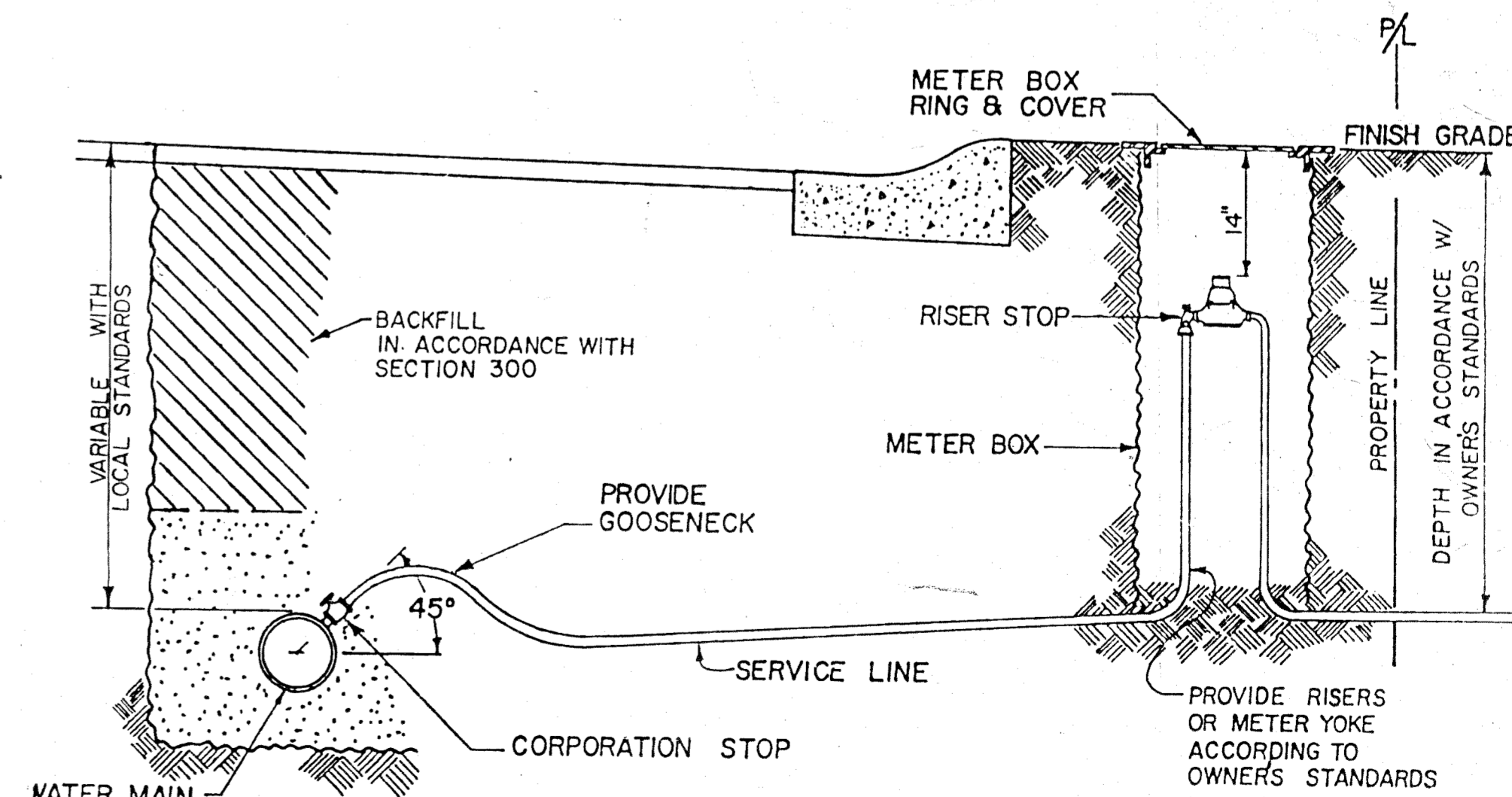
TYP. BLOW-OFF ASSEMBLY ELEVATION
N.T.S.



WATER SERVICE MARKER
N.T.S.

FITTING SIZE	DIMENSION FOR THRUST BLOCKING			
	TEES & ELBS	90° BEND	45° BEND & WYES	REDUCERS & 22 1/2° BEND
	A	B	A	B
6"	1'-2"	1'-2"	1'-6"	0'-10"
8"	2'-0"	1'-11"	2'-5"	1'-7"
10"	2'-8"	2'-8"	3'-2"	1'-9"
12"	3'-4"	3'-3"	4'-0"	2'-8"
14"	4'-0"	3'-10"	4'-8"	3'-5"
16"	5'-0"	4'-6"	5'-8"	4'-3"

NOTE: This table is based on 150 PSI Main Pressure 2000 PSF Soil Bearing Pressure.
Use all fittings with cast-iron.



WATER SERVICE LINE
N.T.S.

NOTE: In the event of conflict with information or details shown on these drawings and the ISPWC, the ISPWC shall be used.

64
8/15
11/30/09

