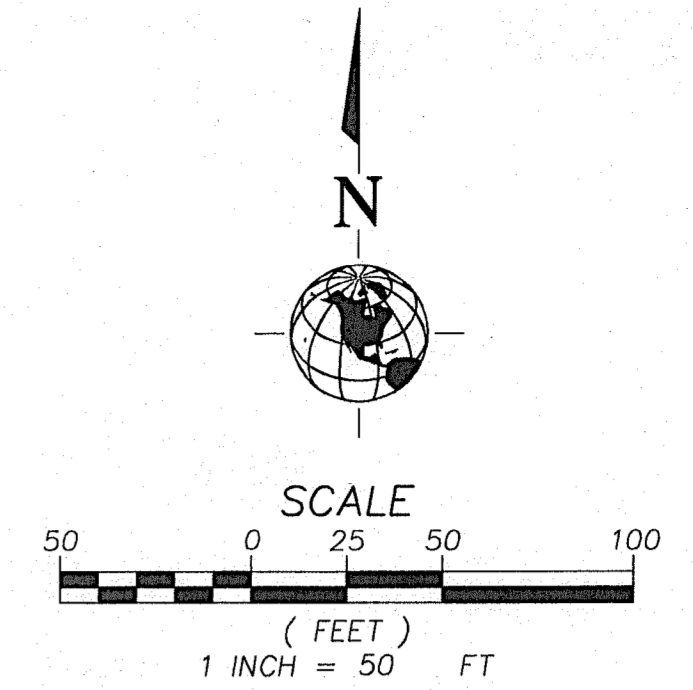


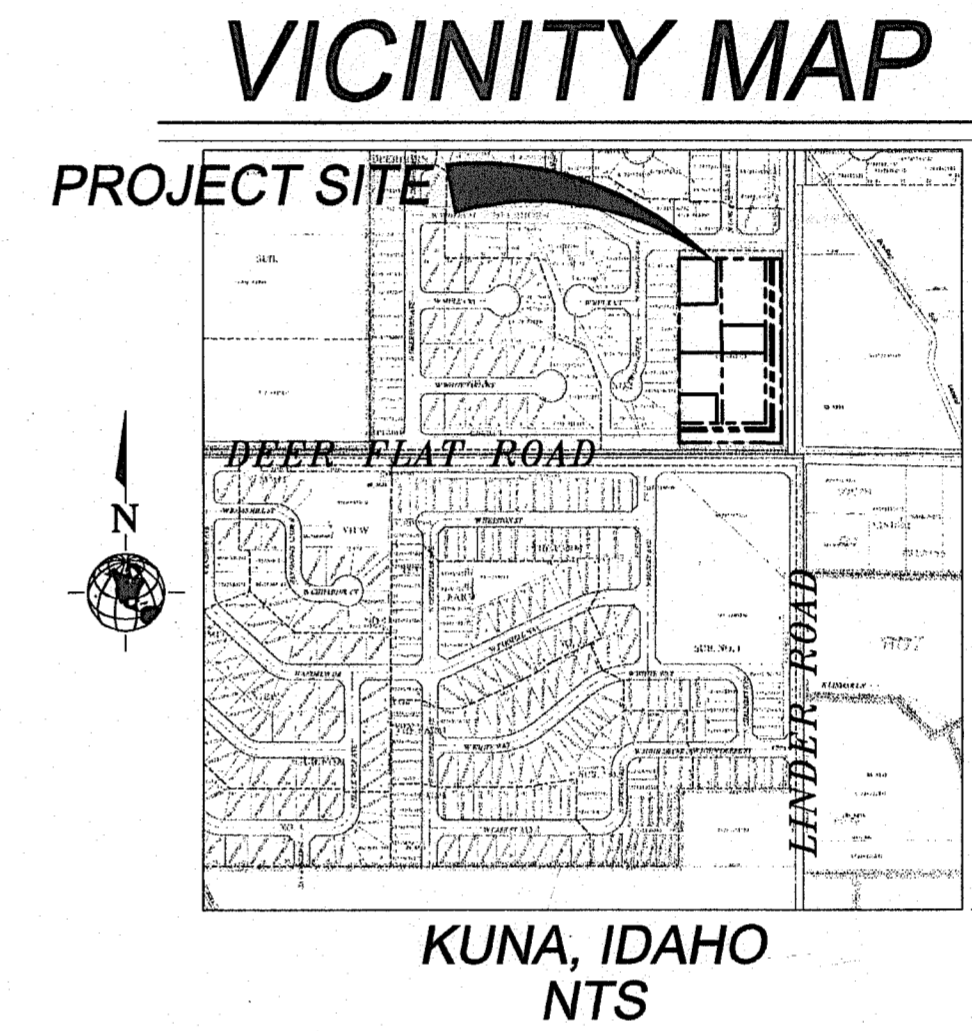
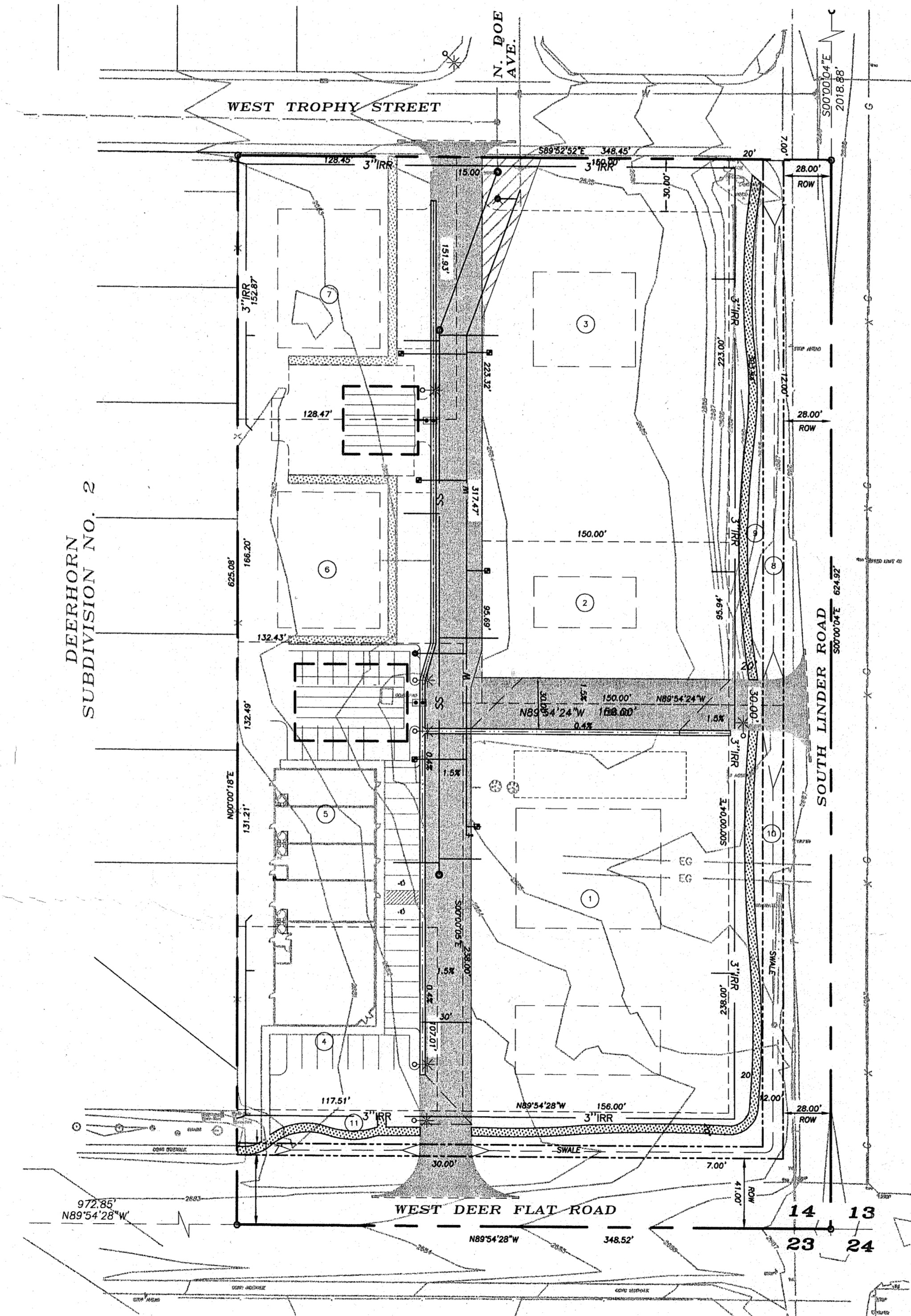
R & B DEVELOPMENT, INC. GODSILL COMMERCIAL SUBDIVISION

A PARCEL OF LAND ALL LOCATED IN A PORTION OF THE SE ¼ OF THE
SE ¼ OF SECTION 14 T.2N., R.1W., B.M.,
KUNA, ADA COUNTY, IDAHO 2003



LEGEND

	PROPERTY LINE/PROJECT BOUNDRY
	ROADWAY RIGHT-OF-WAY
	CENTERLINE OF STREET
	PROPOSED LOT LINE
	PROPOSED SETBACK LINE
	PROPOSED SANITARY SEWER
	PROPOSED STORM SEWER
	PROPOSED WATER LINE
	PROPOSED PRESSURE IRRIGATION LINE
	PROPOSED GRADE BREAK LINE
	PROPOSED ROLLED CURB & GUTTER
	PROPOSED VERT. CURB & GUTTER
	PROPOSED MANHOLE
	PROPOSED STORM DRAIN CATCH BASIN
	PROPOSED WATER METER
	PROPOSED GATE VALVE
	PROPOSED FIRE HYDRANT
	PROPOSED BLOW-OFF ASSEMBLY
	PROPOSED FITTINGS W/THRUST BLOCK
	PROPOSED SIGN & BARRICADE
	PROPOSED STREET LIGHT
	PROPOSED SAND & GREASE TRAP
	LOT NUMBER
	FINISHED GRADE
	FLOW LINE
	GRADE BREAK
	HIGH POINT
	INVERT ELEVATION
	LOW POINT
	POINT OF CURVE
	POINT OF CURVE TANGENT
	TOP OF ASPHALT
	THRUST BLOCK
	POINT OF CONTINUOUS CURVE
	POINT OF REVERSE CURVE
	RIGHT-OF-WAY
	TOP BACK OF CURB
	DRAINAGE FLOW



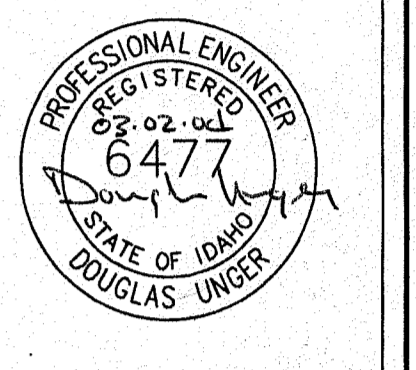
SHEET INDEX

SHEET	DESCRIPTION
C1.0	COVER SHEET
C2.0	NOTE SHEET
C3.0	SITE, GRADING AND UTILITY PLAN
C4.0	SITE IMPROVEMENT DETAIL SHEET

3130 S. Owyhee St.
Boise, Idaho 83705-4768
(208) 342-5400
(208) 342-5353 Fax
whpacific.com

W&H PACIFIC

Planners • Engineers • Surveyors • Landscape Architects

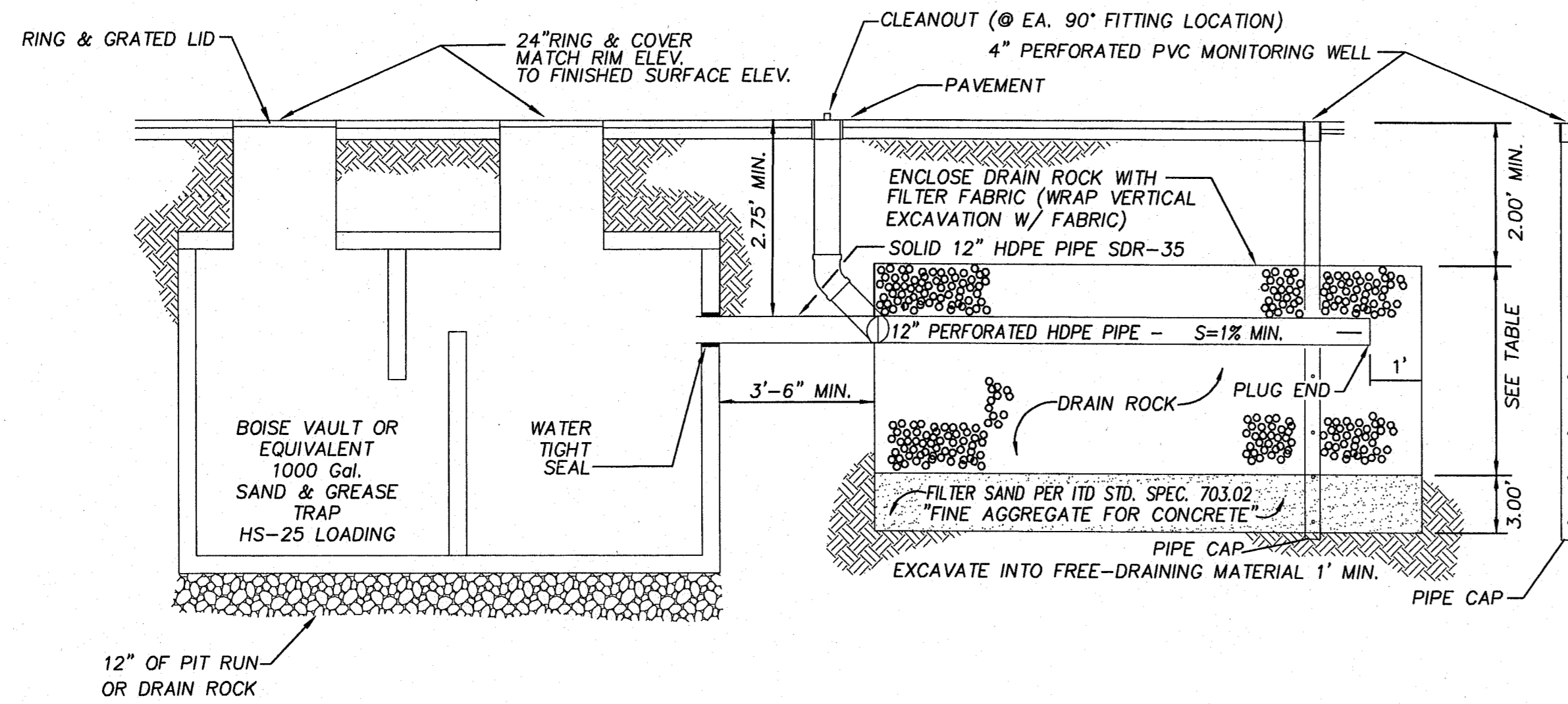


DESIGNED BY:	DLU	CHECKED BY:	DLU
DRAWN BY:	KK	APPROVED BY:	DLU
DATE:	10/21/03	PLOT DATE:	03/02/04
BY:	REV#	REVISION	CK/DI/APP

R & B DEVELOPMENT, INC.
GODSILL COMMERCIAL SUBDIVISION
COVER SHEET

IDAHO
KUNA, ADA COUNTY
SCALE: 1" = 30'

PROJECT NO. 31211
DRAWING FILE NAME: 31211-LANDCV01



NOTES

- PIPE SHALL BE ADS OR HANCOR HIGH Q OR HDPE DUAL WALL TYPE PIPE IN ACCORDANCE WITH AASHTO M 294, WITH A MINIMUM 10 PSI RATED JOINT.
- PERFORATED PIPE SHALL BE HDPE, ADS, OR HANCOR WITH AASHTO M252, TYPE C PERFORATIONS AND SHALL PROVIDE A MINIMUM OF 2 SQ. IN./L.F. OPENINGS.
- ENCLOSE SEEPAGE BED ROCK IN FILTER FABRIC (MIRAFI 140-N OR EQUIVALENT) FABRIC SHALL BE 4 OZ./YD. (MIN.) WITH AN INFILTRATION RATE OF 0.08"/SEC. OR AN EQUIVALENT OPENING SIZE OF 30 FOR NON-WOLVEN FABRIC.
- CONTACT ENGINEER FOR SEEPAGE BED RESIZING IF GROUND WATER IS ENCOUNTERED.
- THE CONTRACTOR SHALL COORDINATE NOTICE FOR INSPECTION OF SEEPAGE BED WITH THE CITY OF KUNA PRIOR TO COVERING.
- THE SAND FILTER SHALL BE CLEAN WASHED SAND PER ASTM C-33 OR ITD 703.02 "FINE AGGREGATE FOR CONCRETE."

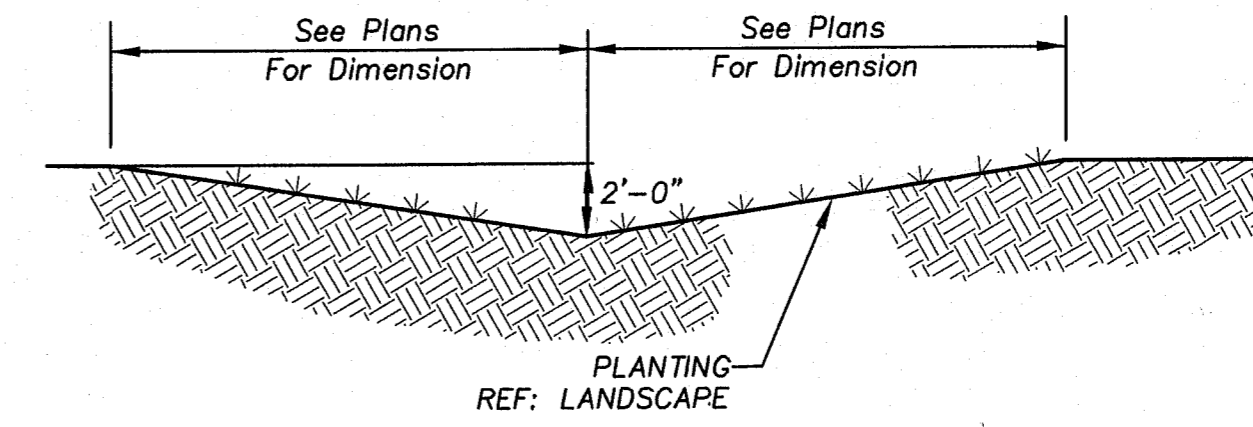
SAND & GREASE TRAP AND INFILTRATION TRENCH DETAIL
SCALE: N.T.S.

1
C4.0

INFILTRATION TRENCH SPECIFICATIONS

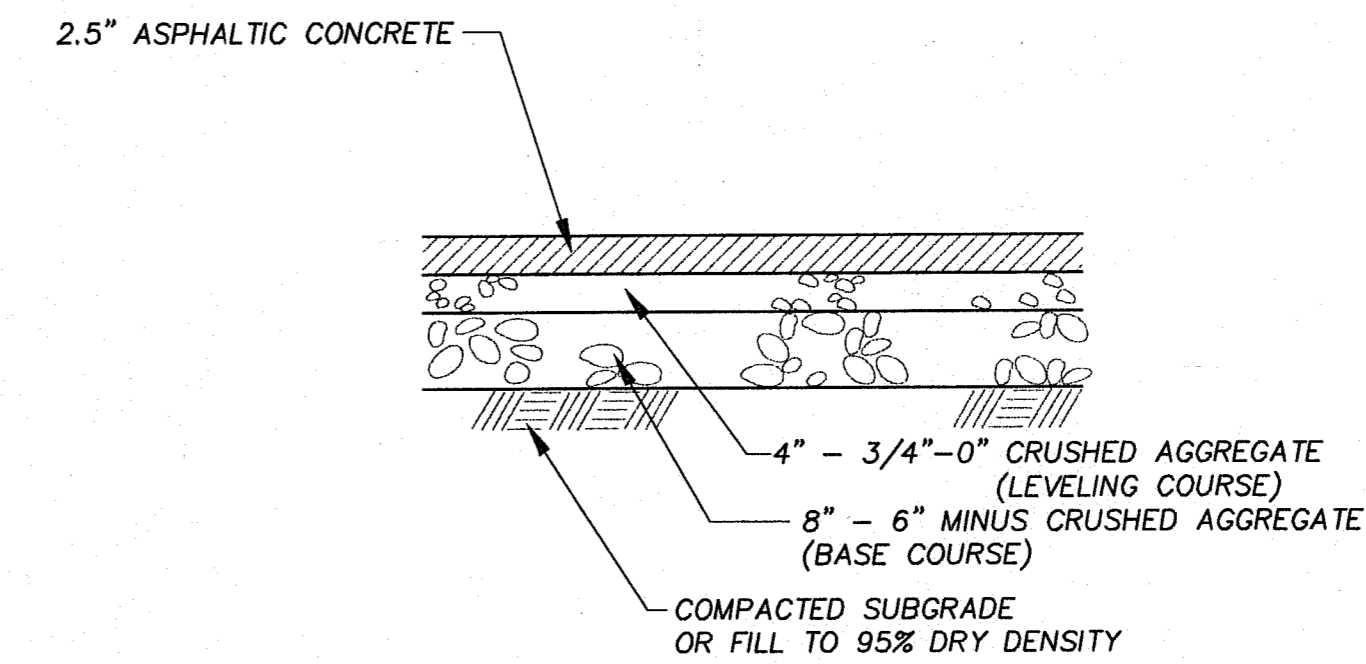
SYSTEM	S&G TRAP SIZE	INVERT		BAFFLE	THROAT	RIM ELEVATION	INFILTRATION BASIN	
		IN	OUT				LxWxD	PIPE LENGTH
A	1000 GAL. SEE RIM EL.	2680.83	2681.08	11"	2684.24	40'x34'x8.5'D	37 FT.	
B	1000 GAL. SEE RIM EL.	2680.83	2681.08	11"	2684.24	40'x57'x8.5'D	54 FT.	

* RIM ELEVATION FOR SAND & GREASE TRAP SHALL BE ADJUST TO BE FLUSH WITH FINISH GRADE ELEVATION.



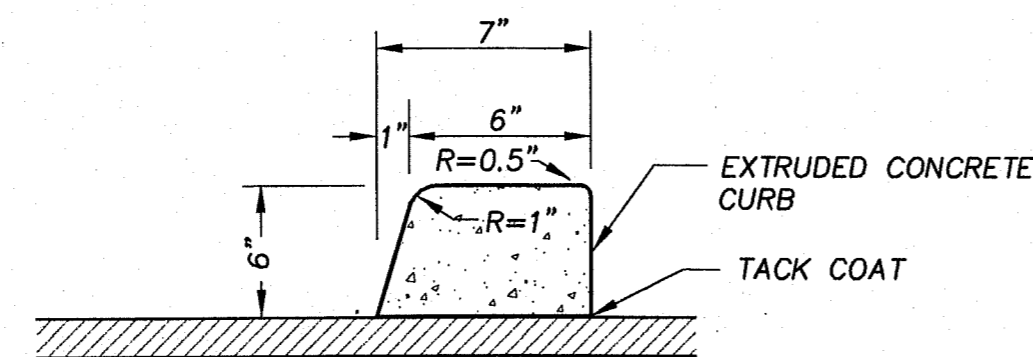
BIOSWALE SECTION DETAIL
SCALE: N.T.S.

3
C4.0



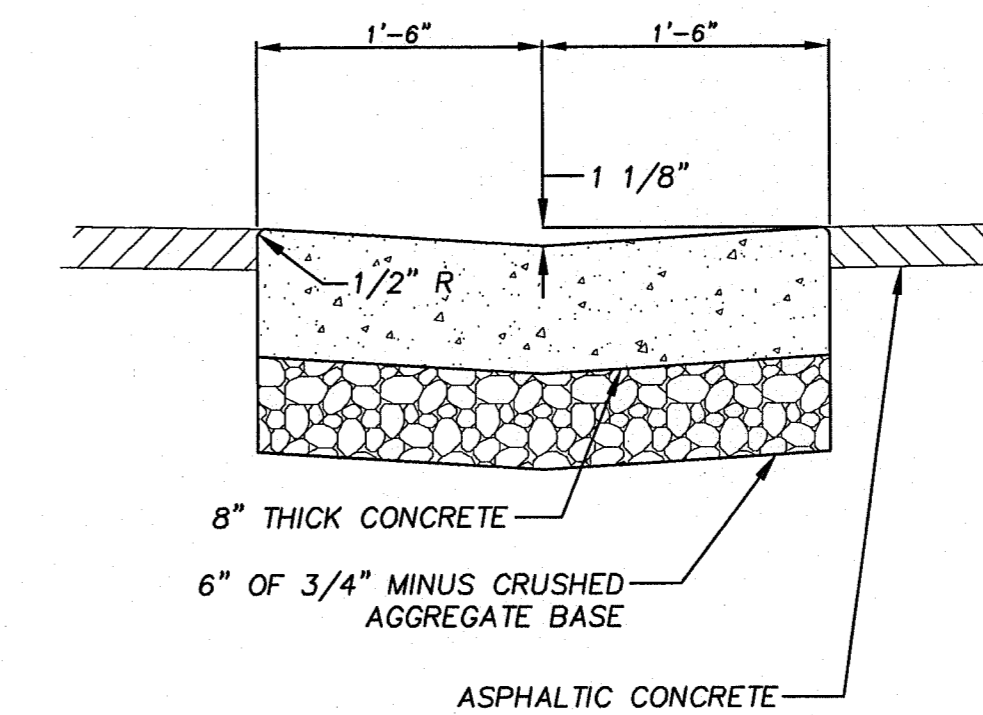
PAVEMENT SECTION DETAIL
SCALE: NTS

4
C4.0



EXTRUDED CURB DETAIL
SCALE: N.T.S.

2
C4.0



VALLEY GUTTER SECTION DETAIL
SCALE: NTS

5
C4.0

DESIGNED BY:	KK	CHECKED BY:	KK
DRAWN BY:	KK	APPROVED BY:	02/27/04
DATE:	02/27/04	PLOT DATE:	03/02/04
REVISION:		REVISION:	